



KM-P4845w

KM-P4850w

PARTS LIST

Published in Oct.'02
842BA121
Revision1

Parts List

KM-P4845w

KM-P4850w

NOTE

1. Indicate parts number and machine model when placing an order.

eg.	Parts Number	Parts Name	Machine Model	Cycle	Quantity
	2BA04010	UPPER COVER,DETACHING (KM-P4845w)	KM-P4845w	50Hz	1
	2BB04010	UPPER COVER,DETACHING (KM-P4850w)	KM-P4850w	50Hz	1

2. Service calls and freight will be charged separately.

3. Symbols in the "Parts Number" column.

- Parts with "●" indicates the spare parts and the parts without "●" can not be supplied.


- Parts with "." are component parts or sub-assemblies of the assembly appearing immediately above them.

eg.	Parts Number	Parts Name	Parts Number	Parts Name
	2A793280	PARTS,ASS'Y GRID,SP	•2A710030	SHIELD,GRID
			•2A710040	FILM,CLEANING LAMP

- Parts with ".•" are component parts or sub-assembly with "." appearing immediately above them.

eg.	Parts Number	Parts Name	Parts Number	Parts Name
	•34068080	RIGHT MAIN HOUSING ASS'Y	••34010101	RIGHT LID, MAIN
			••34010090	RIGHT HOUSING, MAIN

4. See the last page of this parts list for the classification of the screws in the illustrations.

5. Items indicated by shaded areas () are supply parts and should be ordered through your Regional Office.

— CONTENTS —

FIG. 1 EXTERIOR COVERS I	2	FIG. 13 CLEANING SECTION II	26
FIG. 2 EXTERIOR COVERS II	4	FIG. 14 FIXING SECTION I	28
FIG. 3 FRAMES	6	FIG. 15 FIXING SECTION II	30
FIG. 4 PAPER FEED-IN SECTION I	8	FIG. 16 DRIVING,COLLING SECTION I	32
FIG. 5 PAPER FEED-IN SECTION II (roll unit)	10	FIG. 17 DRIVING,COLLING SECTION II	34
FIG. 6 EJECT SECTION	12	FIG. 18 DRIVING,COLLING SECTION III	36
FIG. 7 IMAGING UNIT I	14	FIG. 19 ELECTRICAL COMPONENTS I	38
FIG. 8 IMAGING UNIT II	16	FIG. 20 ELECTRICAL COMPONENTS II (120V)	40
FIG. 9 OPTICAL SECTION	18	FIG. 20 ELECTRICAL COMPONENTS II (230V)	42
FIG. 10 DEVELOPING UNIT	20	FIG. 21 ACCESSORY & TOOL	44
FIG. 11 HOPPER SECTION	22		
FIG. 12 CLEANING SECTION I	24	• INDEX	46

FIG. 1 EXTERIOR COVERS I

2BA-1/2BB-1

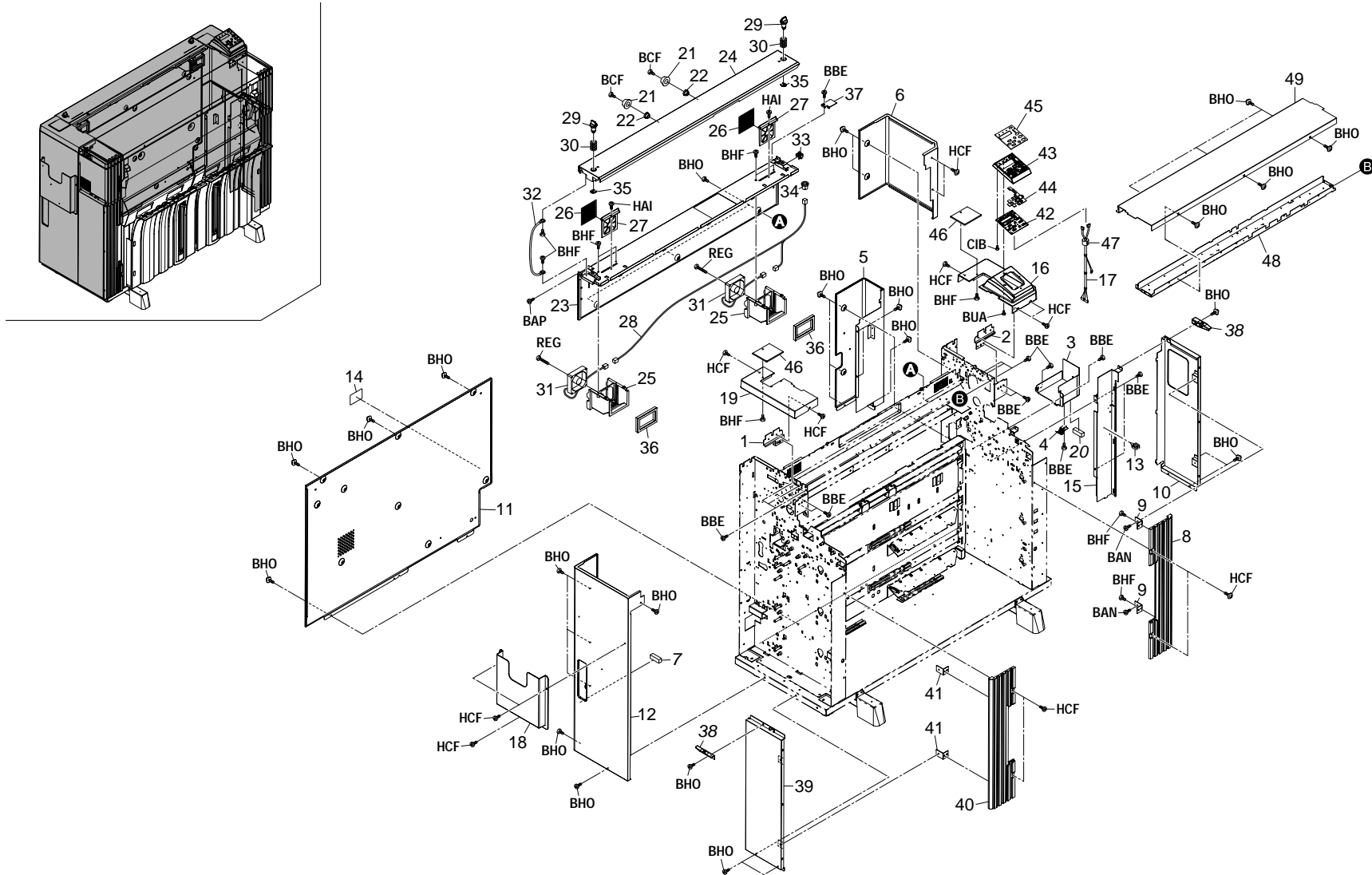


FIG. 1 EXTERIOR COVERS I

2BA-1/2BB-1

SP	Ref. No.	Part. No.	Description	Quantity	
				120V	230V
	1	2A704181	UPPER LEFT MOUNT,COVER	1	1
	2	2A704171	UPPER RIGHT MOUNT,COVER	1	1
	3	2A704080	INNER RIGHT COVER	1	1
	4	2AR26360	GROUND PLATE,SCANNER UNIT	1	1
●	5	2A704070	REAR RIGHT COVER	1	1
●	6	2A704060	RIGHT COVER,MIDDLE	1	1
	7	36527090	SHIELD 60,GASKET	1	1
●	8	2A704510	COVER,SIDE	1	1
	9	2A704540	JUNCTION PLATE,SIDE COVER	2	2
●	10	2A704520	RIGHT COVER,SIDE	1	1
●	11	2A704282	LOWER REAR COVER	1	1
●	12	2A704050	REAR LEFT COVER	1	1
	13	M2105740	MINIATURE CLAMP,UAMS-05S-2	1	1
●	14	67805200	LABEL,ROLL HEATER	1	1
	15	2A702091	PARTITION,DISPOSAL TANK	1	1
●	16	2A704151	UPPER RIGHT COVER	1	1
	17	2BA27110	WIRE,OPERATION UNIT PCB	1	1
●	18	34051550	POCKET,INSTRUCTION HANDBOOK(RC)	1	1
●	19	2A704160	UPPER LEFT COVER	1	1
	20	2A727600	SHIELD 10X9X25,GASKET	1	1
	21	66260030	BASE RUBBER,SORTER	2	2
●	22	2AZ13190	COLLAR,ORIGINAL LOOP	2	2
●	23	2A704130	UPPER REAR COVER	1	1
●	24	2A704140	LID,TONER SUPPLY	1	1
	25	2A723510	DUCT,COOLING FAN LPH	2	2
●	26	2A723530	FILTER,COOLING FAN	2	2
	27	2A723540	HOLDER,FILTER	2	2
	28	2A727220	WIRE,COOLING FAN	1	1
	29	34013110	PIN,ORIGINAL RETAINING	2	2
●	30	34013120	SPRING,ORIGINAL HOLDER	2	2
●	31	63523010	FAN MOTOR	2	2
	32	63527100	GROUND WIRE,ADF MOTOR	1	1
●	33	66127010	SWITCH,COVER OPEN	1	1
	34	M1203200	OPEN BUSHING,OCB-375	1	1
	35	74712770	STOP RING U-6	2	2
●	36	2A723520	SPONGE,DUCT	2	2
	37	2A704560	UPPER REAR COVER,WIRE	1	1
●	38	2A704580	PROJECTION,COVER DETACHING	2	2
●	39	2A704530	LEFT COVER,SIDE	1	1
●	40	2A704510	COVER,SIDE	1	1

SP	Ref. No.	Part. No.	Description	Quantity	
				120V	230V
	41	2A704540	JUNCTION PLATE,SIDE COVER	2	2
●	42	2BA01010	OPERATION UNIT ASS'Y(EXP)	1	1
●	43	2BA25010	COVER,OPERATION UNIT	1	1
●	44	2BA25020	SHEET,DUST SHIELD	1	1
●	45	2BA25030	SHEET,OPERATION UNIT(EXP)	1	1
●	46	2BA04030	UPPER LID,COVER	2	2
	47	2A027760	CORE 11-23X14(R)	1	1
	48	2BA13011	FRONT STAY,SCANNER	1	1
●	49	2BA04020	UPPER COVER,MACHINE	1	1

- Parts with "●" are component parts or sub-assemblies of the assembly appearing immediately above them.
- Parts with "●●" indicates the spare parts.

- Parts with "●●" are component parts or sub-assembly with "●" appearing immediately above them.

FIG. 2 EXTERIOR COVERS II

2BA-1/2BB-1

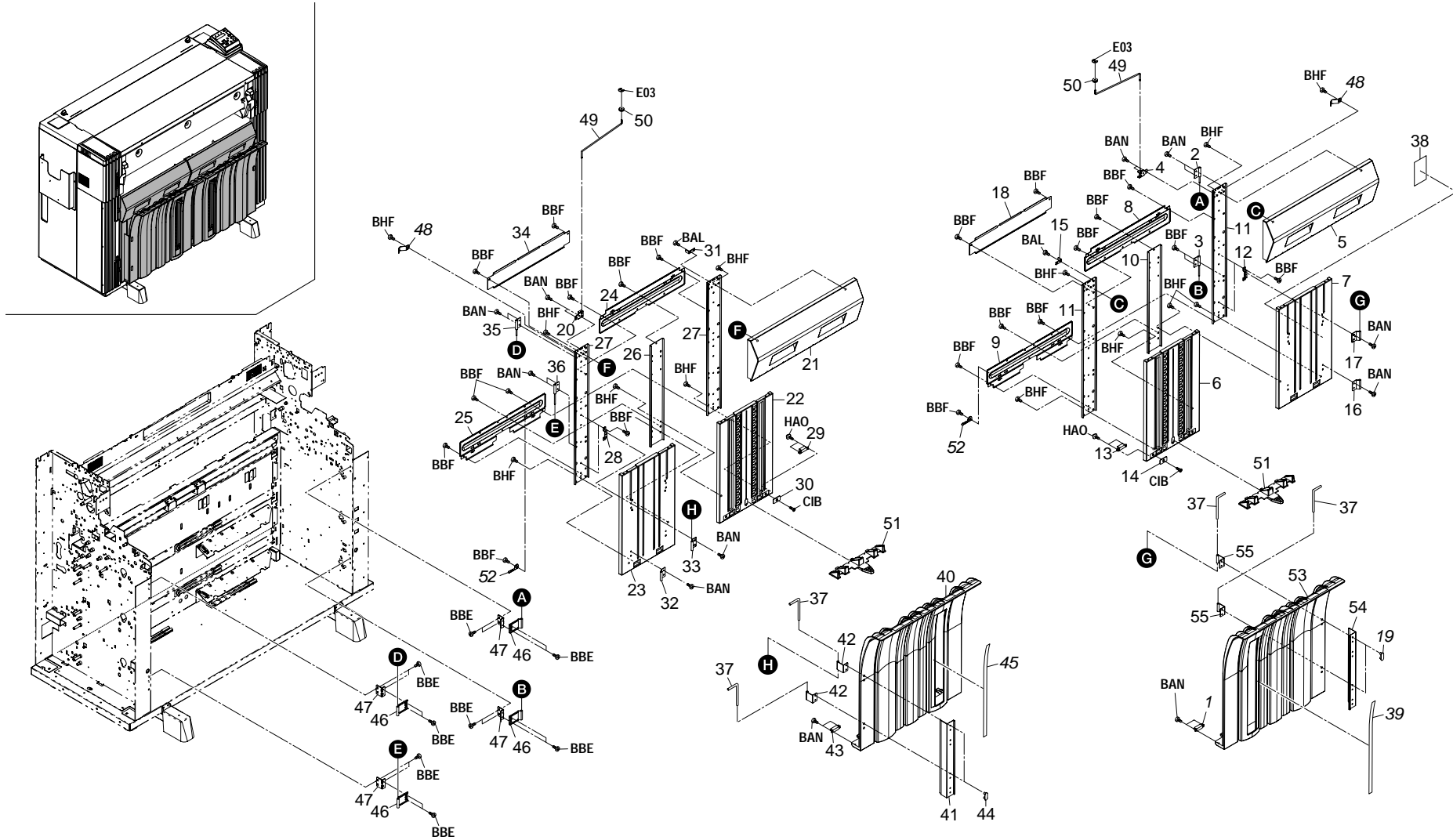


FIG. 2 EXTERIOR COVERS II

2BA-1/2BB-1

SP	Ref. No.	Part. No.	Description	Quantity	
				120V	230V
	1	44728101	MAGNET CATCHER	1	1
	2	2A702120	UPPER RIGHT FRONT HINGE,COVER	1	1
	3	2A702130	LOWER RIGHT FRONT HINGE,COVER	1	1
●	4	2A702180	FULCRUM PLATE,STOPPER COVER	1	1
●	5	2A704310	UPPER FRONT COVER	1	1
●	6	2A704321	INNER FRONT COVER	1	1
●	7	2A704331	OUTER FRONT COVER	1	1
	8	2A704341	UPPER FRONT REINFORCEMENT,COVER	1	1
	9	2A704351	LOWER FRONT REINFORCEMENT,COVER	1	1
	10	2A704361	INNER FRONT REINFORCEMENT,COVER	1	1
	11	2A704371	OUTER FRONT REINFORCEMENT,COVER	2	2
	12	2A721050	MOUNT,HINGE TRAY	2	2
	13	44728101	MAGNET CATCHER	1	1
	14	49628105	RECEIVER,MAGNET	1	1
	15	67804170	PROJECTION,SWITCH	1	1
	16	67821090	LOWER HINGE,COPY TRAY	1	1
	17	2A721080	LOWER HINGE COPY TRAY	1	1
	18	2A704570	LID,HANDLE	1	1
	19	67821071	RETAINER PIN,COPY TRAY	2	2
●	20	2A702180	FULCRUM PLATE,STOPPER COVER	1	1
●	21	2A704310	UPPER FRONT COVER	1	1
●	22	2A704321	INNER FRONT COVER	1	1
●	23	2A704331	OUTER FRONT COVER	1	1
	24	2A704341	UPPER FRONT REINFORCEMENT,COVER	1	1
	25	2A704351	LOWER FRONT REINFORCEMENT,COVER	1	1
	26	2A704361	INNER FRONT REINFORCEMENT,COVER	1	1
	27	2A704371	OUTER FRONT REINFORCEMENT,COVER	2	2
	28	2A721050	MOUNT,HINGE TRAY	2	2
	29	44728101	MAGNET CATCHER	1	1
	30	49628105	RECEIVER,MAGNET	1	1
	31	67804170	PROJECTION,SWITCH	1	1
	32	67821090	LOWER HINGE,COPY TRAY	1	1
	33	2A721080	LOWER HINGE COPY TRAY	1	1
	34	2A704570	LID,HANDLE	1	1
	35	2A702140	UPPER LEFT FRONT HINGE,COVER	1	1
	36	2A702150	LOWER LEFT FRONT HINGE,COVER	1	1
	37	2AZ04290	SHAFT,HINGE	4	4
●	38	2A705070	LABEL,DEHUMIDIFIER HEATER	1	1
●	39	2A705150	LABEL,STOPPER POSITION(INCH)	1	
●	39	2A705140	LABEL,STOPPER POSITION(METRIC)		1

SP	Ref. No.	Part. No.	Description	Quantity	
				120V	230V
●	40	2A721020	LEFT TRAY	1	1
●	41	2A721031	MOUNT,TRAY	1	1
	42	2A721070	UPPER HINGE,TRAY	2	2
	43	44728101	MAGNET CATCHER	1	1
	44	67821071	RETAINER PIN,COPY TRAY	2	2
●	45	2A705150	LABEL,STOPPER POSITION(INCH)	1	
●	45	2A705140	LABEL,STOPPER POSITION(METRIC)		1
	46	2A702110	HINGE,MACHINE	4	4
	47	67802180	MOUNT,HINGE	4	4
	48	2A726190	FRONT GROUND PLATE A,COVER	2	2
	49	67804180	STOPPER, COVER	2	2
	50	74716160	SPACER GUIDE	2	2
●	51	2A721040	STOPPER,TRAY	2	2
	52	2A726200	FRONT GROUND PLATE B,COVER	2	2
●	53	2A721010	RIGHT TRAY	1	1
●	54	2A721031	MOUNT,TRAY	1	1
	55	2A721070	UPPER HINGE,TRAY	2	2

- Parts with "●" are component parts or sub-assemblies of the assembly appearing immediately above them.
- Parts with "●●" indicates the spare parts.

- Parts with "●●" are component parts or sub-assembly with "●" appearing immediately above them.

FIG. 3 FRAMES

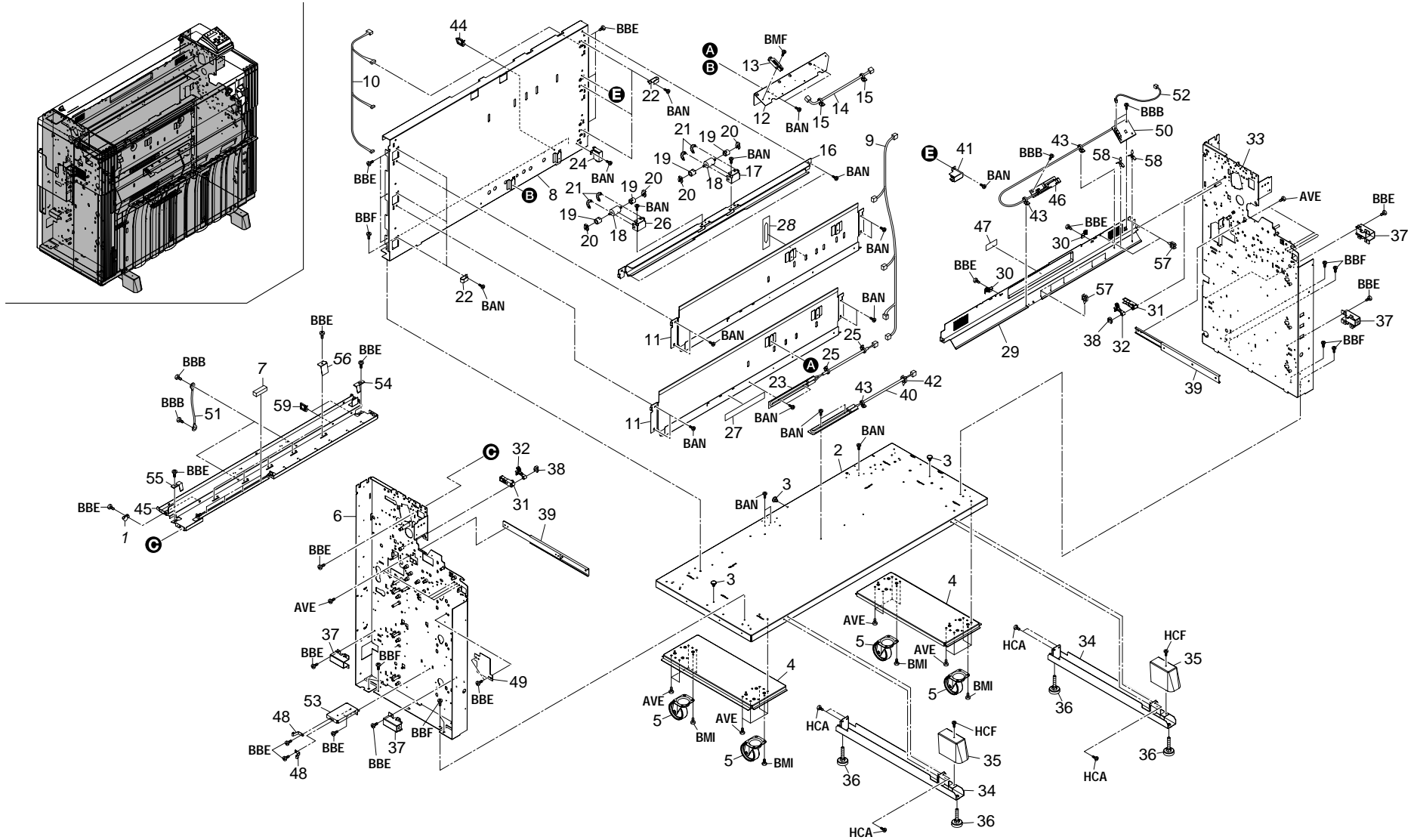


FIG. 3 FRAMES

2BA-1/2BB-1

SP	Ref. No.	Part. No.	Description	Quantity	
				120V	230V
	1	M2505140	CLAMP,GNK-6N(NIKKO)	1	1
	2	2A702040	BASE,MACHINE	1	1
	3	48129208	PIN,TENSION	3	3
	4	2A702060	MOUNT,CASTER	2	2
	5	2A702190	CASTER,MACHINE	4	4
	6	2A702022	LEFT FRAME,MACHINE	1	1
	7	2A727590	SHIELD 7X7X60,GASKET		4
	8	2A706180	REAR GUIDE,ROLL CONVEYING		1
	8	2A706470	REAR GUIDE,ROLL CONVEYING(INCH)	1	
	9	2A727210	JUNCTION WIRING,DEHUMIDIFIER HEATER	1	1
	10	2A727351	JUNCTION WIRING,PRIMARY PAPER FEED	1	1
	11	2A706191	FRONT GUIDE,ROLL CONVEYING		2
	11	2A706480	FRONT GUIDE,ROLL CONVEYING(INCH)	2	
	12	2A706210	MOUNT,PAPER SWITCH	2	2
●	13	63227150	SWITCH L,FEED	2	2
	14	2A727280	WIRE,PRIMARY PAPER FEED	2	2
	15	M2107120	BINDING BAND SG-130	4	4
	16	2A706231	FRONT GUIDE,CUTTER INSERTION	1	1
	17	2A706270	MOUNT,CUTTER INSERTION PULLEY	1	1
●	18	2A206380	PULLEY,ROLL REGISTRATION	2	2
●	19	72107160	BUSHING 6,LOWER REGISTRATION ROLLER	4	4
●	20	75812080	STOP RING 4	4	4
	21	2A706460	SPRING,PRESSING	4	4
	22	2A707260	HOLDER,ROLL FRAME	6	6
●	23	2A727480	HEATER,DEHUMIDIFIER(120)	1	
	24	2A706360	COVER,HEATER CONNECTOR	1	
	25	M2107120	BINDING BAND SG-130	2	
	26	2A706450	LEFT MOUNT,CUTTER INSERTION PULLEY	1	1
●	27	20305130	LABEL L,HIGH TEMPERATURE CAUTION(EXP)	1	
	28	2A706510	FRONT FILM,ROLL CONVEYING	1	
	29	2A712040	PARTITION,LPH	1	1
	30	2AR26360	GROUND PLATE,SCANNER UNIT	2	2
	31	2AZ14240	GUIDE,DEVELOPING	2	2
	32	33414080	LEVER,DEVELOPING RETAINING	2	2
	33	2A702011	RIGHT FRAME,MACHINE	1	1
	34	2A702072	SUPPORT PLATE,MACHINE	2	2
●	35	67804241	COVER, MACHINE SUPPORT	2	2
	36	68202160	BOLT,LEVEL	4	4
	37	2A702050	MOUNT,HANDLE	4	4
●	38	34806480	STOPPER 6	2	2

- Parts with "●" are component parts or sub-assemblies of the assembly appearing immediately above them.
- Parts with "●●" indicates the spare parts.

SP	Ref. No.	Part. No.	Description	Quantity	
				120V	230V
	39	2A717081	SLIDER,DETACHING	2	2
●	40	2A727480	HEATER,DEHUMIDIFIER(120)	1	
	41	2A706360	COVER,HEATER CONNECTOR	1	
	42	M2109180	WIRE SADDLE,LWS-1S	1	1
	43	M2107120	BINDING BAND SG-130	3	3
	44	M2109200	LOCKING WIRE SADDLE,LWS-3S-2W	1	1
	45	2A713340	REAR STAY,SCANNER	1	1
	46	34010301	MOUNT,POTENTIAL SENSOR	1	1
	47	2AG05200	LABEL,HIGH VOLTAGE CAUTION(EXP)	1	1
	48	34026110	GROUND PLATE B,NOIZE	2	2
	49	2A722450	LID,ROLL UP DRIVE	1	1
●	50	34093331	PARTS SENSOR SURFACE POTENTIAL(SP)	1	1
	51	23227320	WIRE CE,MAIN PCB GROUND		2
	52	2A727390	JUNCTION WIRING,POTENTIAL SENSOR	1	1
	53	2A726160	MOUNT,GROUND PLATE	1	1
	54	2A712110	RIGHT GROUND PLATE,LPH	1	1
	55	2A712120	LEFT GROUND PLATE,LPH	1	1
	56	2A712130	GROUND PLATE,LPH	5	5
	57	M2105730	MINIATURE CLAMP,UAMS-07-0	7	7
	58	M2108120	SPACER,KGLS-4S	2	2
	59	M2109230	WIRE SADDLE,LWS-3S(KITAGAWA)	2	2

- Parts with "●●" are component parts or sub-assembly with "●" appearing immediately above them.

FIG. 4 PAPER FEED-IN SECTION I

2BA-1/2BB-1

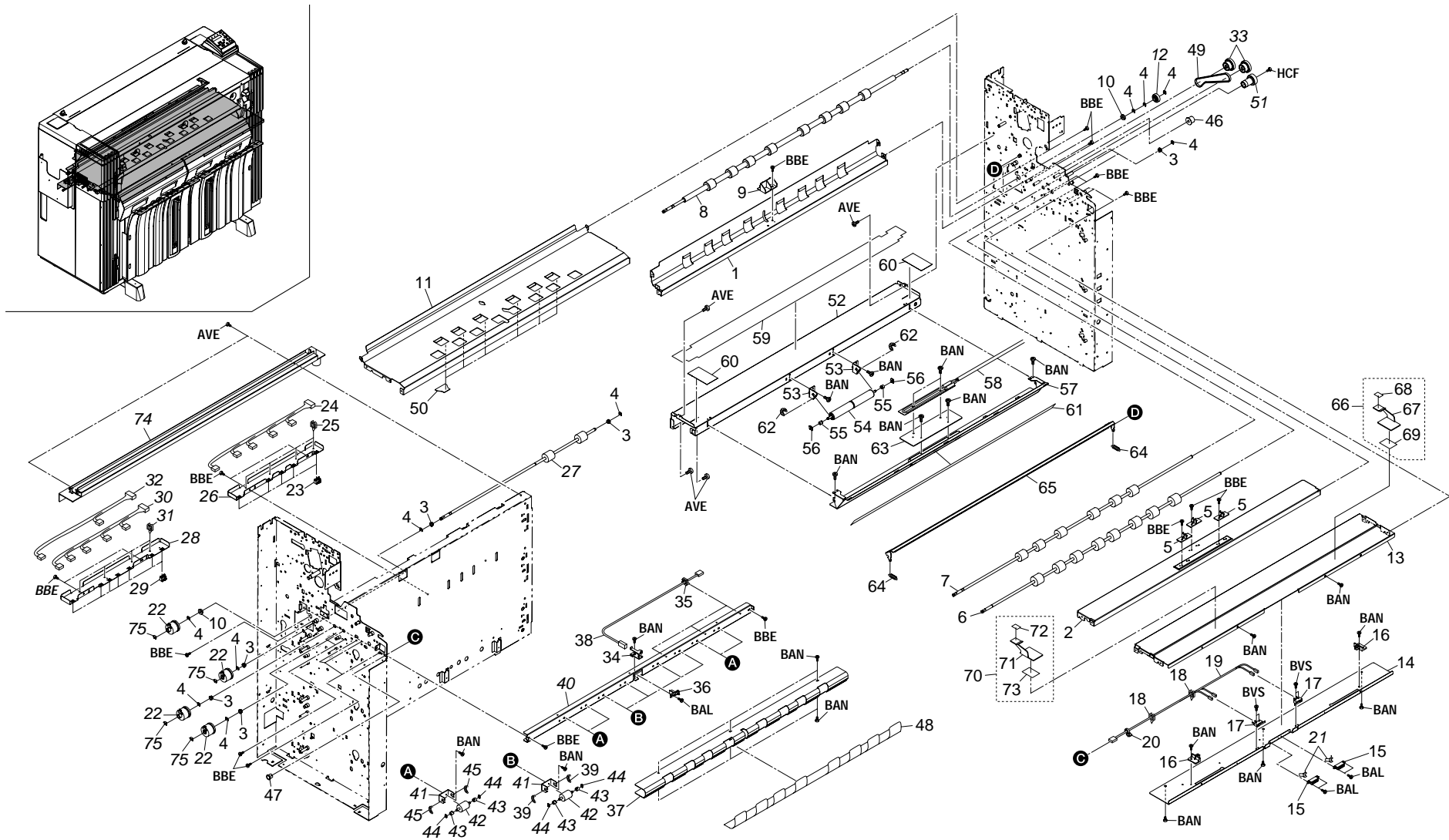


FIG. 4 PAPER FEED-IN SECTION I

2BA-1/2BB-1

SP	Ref. No.	Part. No.	Description	Quantity	
				120V	230V
	1	2A706140	GUIDE,REGISTRATION	1	1
	2	2A706062	STAY,BYPASS	1	1
●	3	67322230	BUSHING 8	7	7
●	4	34806480	STOPPER 6	10	10
●	5	2AZ13070	LOWER BUSHING, ORIGINAL FEED ROLLER	3	3
●	6	2A706020	ROLLER,BYPASS FEED	1	1
●	7	2A706010	ROLLER,BYPASS	1	1
●	8	2A706111	ROLLER,REGISTRATION	1	1
●	9	2A706240	STOPPER,ROLL REGISTRATION	1	1
●	10	2A222480	BUSHING 8-16,PAPER FEED	2	2
	11	2A706050	LOWER GUIDE,BYPASS	1	1
●	12	45727304	GEAR 26,ONE-WAY	1	1
●	13	2A706070	TABLE,BYPASS(METRIC)		1
●	13	2A706390	TABLE,BYPASS(INCH)	1	
	14	2A702080	FRONT MOUNT,COVER SWITCH	1	1
	15	60804120	MAGNET CATCH	2	2
●	16	2A702160	HOLDER,STOPPER COVER	2	2
●	17	34027190	SWITCH,INTERLOCK	2	2
	18	M2105740	MINIATURE CLAMP,UAMS-05S-2	2	2
	19	2A727460	JUNCTION WIRING,FRONT COVER SWITCH	1	1
	20	M2107120	BINDING BAND SG-130	1	1
	21	19126010	GROUN PLATE,MAGNET CATCH	2	2
●	22	2A227060	CLUTCH,PAPER FEED	4	4
●	23	2A727530	REAR SWITCH, ORIGINAL FEED		5
	24	2BA27120	JUNCTION WIRING,PAPER FEED SIZE DETECTION (KM-P4845w)		1
	24	2A727200	JUNCTION WIRING,PAPER FEED SIZE DETECTION (KM-P4850w)		1
	25	M2105730	MINIATURE CLAMP,UAMS-07-0		4
	26	2A706280	MOUNT,PAPER SIZE		1
●	27	2A706130	REAR ROLLER,CUTTER INSERTION	1	1
	28	2A706500	MOUNT,PAPER SIZE(INCH)		1
●	29	2A727530	REAR SWITCH, ORIGINAL FEED		7
	30	2BA27120	JUNCTION WIRING,PAPER FEED SIZE DETECTION (KM-P4845w)		1
	30	2A727200	JUNCTION WIRING,PAPER FEED SIZE DETECTION (KM-P4850w)		1
	31	M2105730	MINIATURE CLAMP,UAMS-07-0		4
	32	2A727700	JUNCTION WIRING,PAPER FEED SIZE DETECTION(INCH)		1
●	33	18522240	PULLEY 30/38	2	2
	34	2A706290	MOUNT,REGISTRATION SWITCH	1	1
	35	M2105740	MINIATURE CLAMP,UAMS-05S-2	3	3
●	36	67806230	SWITCH, CUTTER EJECT	1	1
	37	2A706150	REAR GUIDE,REGISTRATION	1	1

SP	Ref. No.	Part. No.	Description	Quantity	
				120V	230V
	38	67827130	RESISTRATION SWITCH WIRING	1	1
	39	2A706460	SPRING,PRESSING	8	8
	40	2A706160	REAR STAY,ROLL REGISTRATION	1	1
	41	2A706200	MOUNT,EJECT PULLEY	8	8
●	42	2AZ06380	PULLEY,ROLL REGISTRATION	8	8
●	43	72107160	BUSHING 6,LOWER REGISTRATION ROLLER	16	16
●	44	75812080	STOP RING 4	16	16
●	45	76007150	SPRING PAPER PAD PULLEY	8	8
●	46	72622141	TENSION PULLEY 20	1	1
	47	M1203200	OPEN BUSHING,OCB-375	1	1
●	48	2A706250	REAR SEAL,CUTTER EJECT	1	1
●	49	2A722430	BELT,HANDLE	1	1
●	50	74707080	SEAL REGISTRATION	6	6
	51	67806220	HANDLE,EJECT DRIVE	1	1
	52	2A702030	LOWER PARTITION,DEVELOPING	1	1
	53	2A716150	FRONT MOUNT,TRANSFER PULLEY	2	2
●	54	2A716140	FRONT PULLEY,TRANSFER	1	1
●	55	72107160	BUSHING 6,LOWER REGISTRATION ROLLER	2	2
●	56	34806140	STOPPER 4	2	2
	57	2A716060	OUTER FRONT GUIDE,TRANSFER	1	1
●	58	2A727480	HEATER,DEHUMIDIFIER(120)		1
●	58	2A727490	HEATER,DEHUMIDIFIER(240)		1
●	59	2A716050	UPPER FRONT FILM,TRANSFER	1	1
●	60	2A714240	FILM,DEVELOPING PARTITION	2	2
	61	2A716230	SEAL,TRANSFER GUIDE	1	1
●	62	2A716250	SPRING,TRANSFER PULLEY PRESSING	2	2
	63	2A708070	MOUNT,DRUM HEATER	1	1
●	64	2A716040	SPRING,TRANSFER GUIDE	2	2
	65	2A716110	INNER FRONT GUIDE,TRANSFER	1	1
●	66	2A700820	RIGHT BYPASS CURSOR ASS'Y	1	1
	67	●2A706410	RIGHT CURSOR,BYPASS	1	1
	68	●2A706430	SEAL,BYPASS CURSOR	1	1
	69	●2A706440	MAGNET,BYPASS CURSOR	1	1
●	70	2A700830	LEFT BYPASS CURSOR ASS'Y	1	1
	71	●2A706420	LEFT CURSOR,BYPASS	1	1
	72	●2A706430	SEAL,BYPASS CURSOR	1	1
	73	●2A706440	MAGNET,BYPASS CURSOR	1	1
●	74	2A706101	CUTTER A0	1	1
●	75	33906630	STOPPER 5,RING	4	4

- Parts with "●" are component parts or sub-assemblies of the assembly appearing immediately above them.
- Parts with "●●" indicates the spare parts.

- Parts with "●●" are component parts or sub-assembly with "●" appearing immediately above them.

FIG. 5 PAPER FEED-IN SECTION II (roll unit)

2BA-1/2BB-1

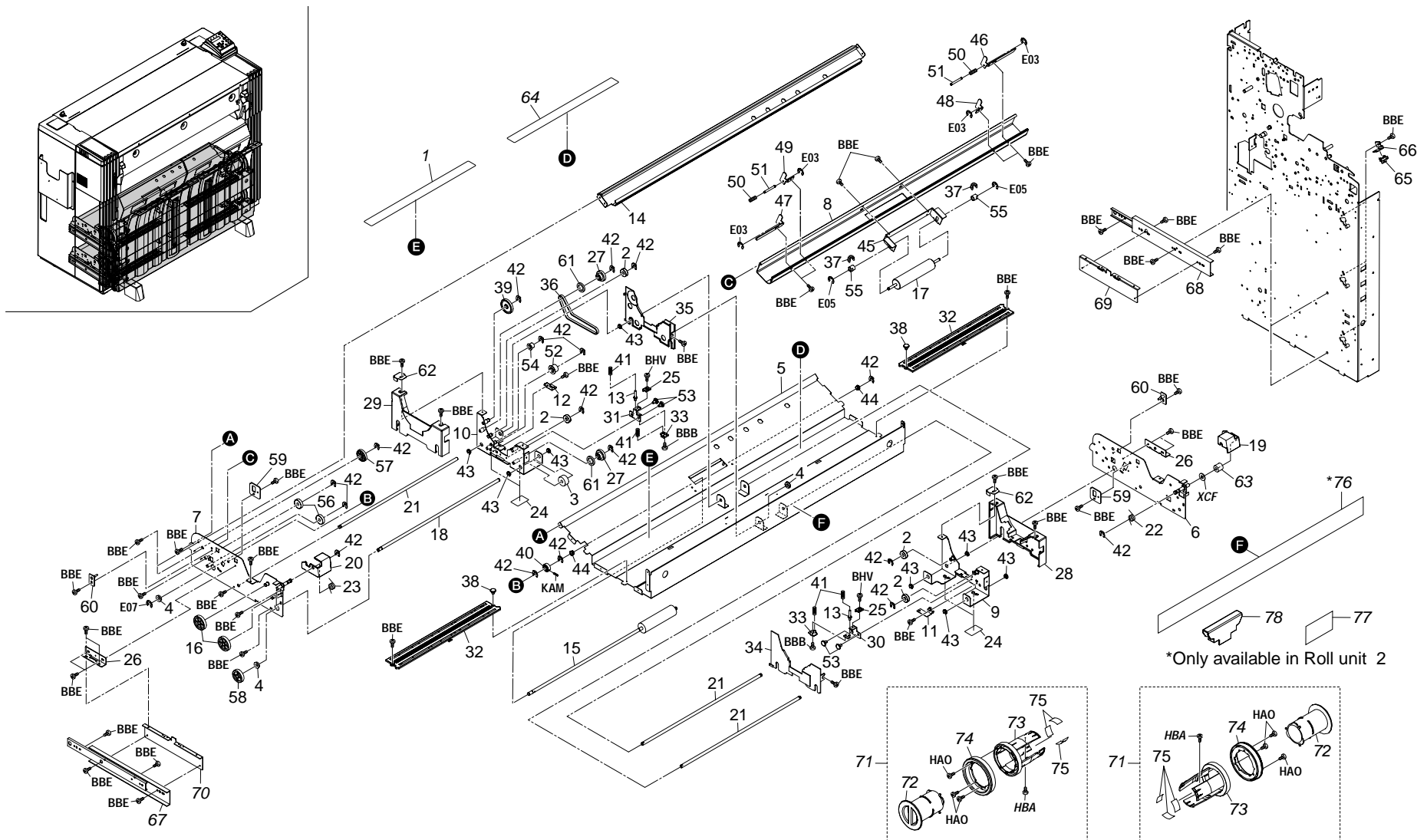


FIG. 5 PAPER FEED-IN SECTION II (roll unit)

2BA-1/2BB-1

SP	Ref. No.	Part. No.	Description	Quantity	
				120V	230V
●	1	2A707470	LEFT LABEL,ROLL SIZE(INCH)	2	
●	1	2A707450	LEFT LABEL,ROLL SIZE(METRIC)		2
●	2	G3006080	BEARING,#608ZZ	8	8
●	3	2AG18050	GEAR 25,CLEANING DRIVE	2	2
●	4	2AZ22480	BUSHING 8-16,PAPER FEED	6	6
	5	2A707010	BASE,ROLL		2
	5	2A707670	BASE ROLL,(INCH)	2	
	6	2A707020	RIGHT FRAME,ROLL	2	2
	7	2A707030	LEFT FRAME,ROLL	2	2
	8	2A707400	UPPER GUIDE ROLL PAPER FEED	2	2
	9	2A707050	RIGHT FRAME,ROLL GUIDE	2	2
	10	2A707060	LEFT FRAME,ROLL GUIDE	2	2
	11	2A707070	RIGHT SUPPORT PLATE,CURSOR	2	2
	12	2A707080	LEFT SUPPORT PLATE,CURSOR	2	2
	13	2A707090	SUPPORT BAR,SIDE GUIDE	4	4
	14	2A707100	UPPER REINFORCEMENT,PAPER FEED	2	2
	14	2A707680	UPPER REINFORCEMENT,PAPER FEED,INCH	2	
●	15	2A707180	LOWER ROLLER,ROLL PAPER FEED	2	2
●	16	2A707200	GEAR 26,ROLL DRIVE	4	4
●	17	2A707210	UPPER ROLLER,ROLL PAPER FEED	2	2
	18	2A707270	SHAFT,ROLL UNIT DRIVE	2	2
	19	2A707281	RIGHT HOOK,ROLL	2	2
	20	2A707291	LEFT HOOK,ROLL	2	2
	21	2A707300	SHAFT,ROLL	6	6
●	22	2A707310	RIGHT SPRING,HOOK	2	2
●	23	2A707320	LEFT SPRING,HOOK	2	2
	24	2A707370	SEAL,ROLL GUIDE	8	8
	25	2A707380	KNOB,ROLL SUPPORT	4	4
	26	2A707410	MOUNT ROLL	4	4
●	27	2A707510	PULLEY,ROLL UNIT	4	4
	28	2A707520	RIGHT COVER,ROLL GUIDE	2	2
	29	2A707530	LEFT COVER,ROLL GUIDE	2	2
	30	2A707540	RIGHT POSITIONING PLATE,ROLL SUPPORT	2	2
	31	2A707550	LEFT POSITIONING PLATE,ROLL SUPPORT	2	2
	32	2A707560	RAIL,ROLL CURSOR		4
	32	2A707630	RAIL,ROLL CURSOR(INCH)	4	
	33	2A707570	STOPPER,ROLL SUPPORT	4	
	34	2A707580	INNER RIGHT COVER,ROLL GUIDE	2	2
	35	2A707590	INNER LEFT COVER,ROLL GUIDE	2	2
●	36	2A722440	BELT,ROLL UNIT	2	2
●	37	48521523	PRESSING SPRING	4	4

SP	Ref. No.	Part. No.	Description	Quantity	
				120V	230V
	38	48129208	PIN,TENSION	4	4
●	39	45729502	IDLE GEAR 40	2	2
●	40	29822350	GEAR 20T,DRIVE	2	2
●	41	2A707610	SPRING,CURSOR	8	8
●	42	34806480	STOPPER 6	32	32
●	43	61806240	BUSHING,GUIDE	16	16
●	44	67322230	BUSHING 8	4	4
	45	67807370	MOUNT B,PAPER FEED ROLLER	2	2
	46	67807581	RIGHT LEVER, ROLL PAPER FEED	2	2
	47	67807591	LEFT LEVER, ROLL PAPER FEED	2	2
	48	67807600	RIGHT LEVER,ROLL PAPER FEED RETAINING	2	2
	49	67807610	LEFT LEVER,ROLL PAPER FEED RETAINING	2	2
	50	67807690	SPRING,PAPER FEED LEVER	4	4
	51	67807760	PIN,LEVER PAPER FEED	4	4
●	52	68322210	PULLEY,21 IDLE	2	2
	53	71802210	PIN,DRUM LIFT	8	8
●	54	71808260	PULLEY,DRUM TENSION	2	2
●	55	72107160	BUSHING 6,LOWER REGISTRATION ROLLER	4	4
●	56	72422192	GEAR, IDLE 25	4	4
●	57	74322340	GEAR 32,DUPLEX	2	2
●	58	74714130	GEAR 23 SPIRAL ROLLER	2	2
	59	2A707430	POSITIONING PLATE PAPER FEED GUIDE	4	4
	60	2A707420	FULCRUM PLATE PAPER FEED GUIDE	4	4
●	61	2A707600	SPACER,CURSOR	4	4
	62	2A707650	HOLDER,ROLL CURSOR	4	4
●	63	33406220	SPACER,SEPARATION	2	2
●	64	2A707460	RIGHT LABEL,ROLL SIZE(INCH)	2	
●	64	2A707440	RIGHT LABEL,ROLL SIZE(METRIC)		2
●	65	35327400	SWITCH,FEED	3	3
	66	2A707330	MOUNT,PHOTO INTERRUPTOR	3	3
	67	2A707160	SLIDER,ROLL	2	2
	68	2A707160	SLIDER,ROLL	2	2
	69	2A707360	MOUNT,SLIDER	2	2
	70	2A707360	MOUNT,SLIDER	2	2
●	71	2A793260	PARTS,ASS'Y ROLL FLANGE,SP	4	4
	72	●2A707121	FLANGE A,ROLL	4	4
	73	●2A707131	FLANGE B,ROLL	4	4
	74	●2A707220	FLANGE C,ROLL	4	4
	75	●2A707660	FILM,FLANGE	12	12
	76	2A705160	LABEL,ROLL OPERATION	1	1
	77	2A705130	LABEL B,ROLL STEP	1	1
●	78	2A707640	HANDLE,ROLL FRANGE	1	1

- Parts with "●" are component parts or sub-assemblies of the assembly appearing immediately above them.
- Parts with "●●" indicates the spare parts.

- Parts with "●●" are component parts or sub-assembly with "●" appearing immediately above them.

FIG. 6 EJECT SECTION

2BA-1/2BB-1

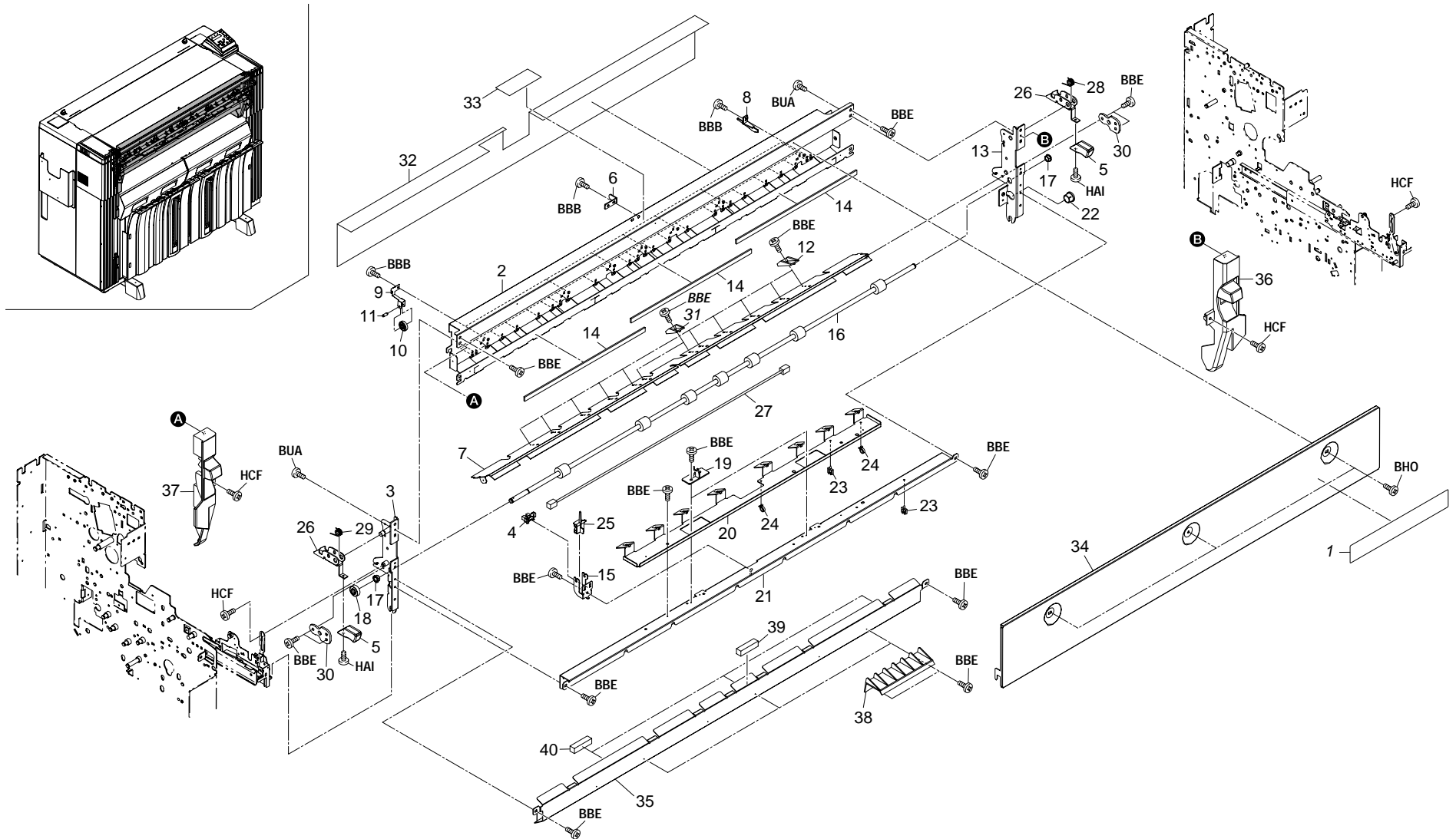


FIG. 6 EJECT SECTION

2BA-1/2BB-1

SP	Ref. No.	Part. No.	Description	Quantity	
				120V	230V
	1	2A705112	LABEL,EJECT JAM	1	1
	2	2A720220	UPPER PARTITION,EJECT	1	1
	3	2A720111	LEFT FRAME,EJECT	1	1
●	4	2BL27450	SWITCH PI	1	1
●	5	2AZ20441	HANDLE,EJECT	2	2
	6	67804170	PROJECTION,SWITCH	1	1
	7	2A720291	LOWER GUIDE,EJECT		1
	7	2A720590	LOWER GUIDE,EJECT(INCH)	1	
	8	2A720360	UPPER GUIDE,EJECT	26	26
	9	2A720250	PLATE SPRING,PULLEY EJECT	7	7
●	10	66321430	FEEDBACK PULLEY	7	7
	11	34051680	SHAFT,PULLEY EJECT (RC)	7	7
	12	2A720490	GUIDE,EJECT	10	10
	13	2A720121	RIGHT FRAME,EJECT	1	1
	14	76510181	STATIC ELIMINATOR ORIGINAL EJECT SECTION	3	3
	15	2A720431	MOUNT,EJECT SWITCH	1	1
●	16	2A720170	ROLLER,EJECT	1	1
●	17	67322230	BUSHING 8	2	2
●	18	2AZ22450	GEAR 17,EJECT ROLLER	1	1
●	19	2AZ13070	LOWER BUSHING, ORIGINAL FEED ROLLER	2	2
	20	2A720261	REINFORCEMENT,EJECT GUIDE	1	1
	21	2A720310	LOWER REINFORCEMENT,EJECT	1	1
	22	M1203220	OPEN BUSHING,OCB-625	1	1
	23	M2105740	MINIATURE CLAMP,UAMS-05S-2	2	2
	24	M2107120	BINDING BAND SG-130	2	2
●	25	2A720501	ACTUATOR,EJECT	1	1
	26	2A920090	FRONT LEVER,FIXING	2	2
	27	2A727400	JUNCTION WIRING,EJECT SWITCH	1	1
●	28	2A920070	RIGHT SPRING,EJECT HOOK	1	1
●	29	2A920080	LEFT SPRING,EJECT HOOK	1	1
	30	2A720560	REINFORCEMENT,EJECT PIN	2	2
	31	2A920050	LOWER GUIDE,EJECT	2	
●	32	2A723101	SEAL,EJECT PARTITION ADIABATIC	1	1
●	33	20305130	LABEL L,HIGH TEMPERATURE CAUTION(EXP)	1	1
●	34	2BA04040	UPPER COVER,EJECT	1	1
●	35	2A704460	LOWER COVER,EJECT	1	1
●	36	2A704470	RIGHT COVER,EJECT	1	1
●	37	2A704480	LEFT COVER,EJECT	1	1
●	38	2A721060	GUIDE,TRAY	3	3
	39	36527090	SHIELD 60,GASKET	1	1
	40	20327160	SHIELD 10X2X25,GASKET		3

- Parts with "●" are component parts or sub-assemblies of the assembly appearing immediately above them.
- Parts with "●" indicates the spare parts.

- Parts with "●●" are component parts or sub-assembly with "●" appearing immediately above them.

FIG. 7 IMAGING UNIT I

2BA-1/2BB-1

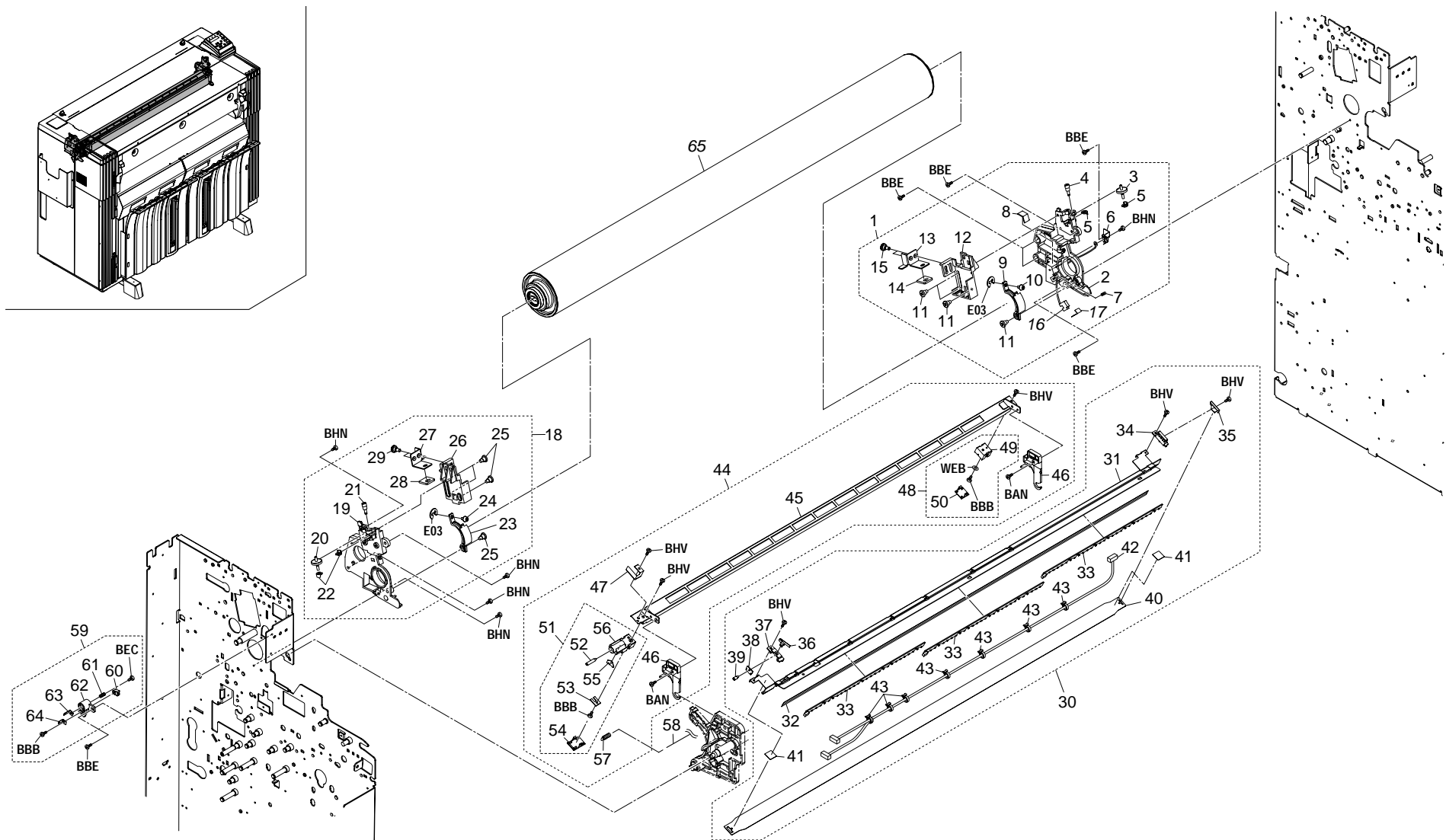


FIG. 7 IMAGING UNIT I

2BA-1/2BB-1

SP	Ref. No.	Part. No.	Description	Quantity	
				120V	230V
●	1	2A700270	RIGHT DRUM HOLDER ASS'Y	1	1
	2	•2A708020	RIGHT HOLDER,DRUM	1	1
●	3	•2A712070	PIN 48,ADJUSTMENT(M4)	1	1
●	4	•2AZ12050	PIN A,ADJUSTMENT	1	1
●	5	•65016080	STOP RING E3	2	2
	6	•2A708060	GROUND PLATE,DRUM	1	1
	7	•78308200	SPRING DRUM HEATER BRUSH	1	1
●	8	•2AZ08100	SEAL,DRUM HOLDER	1	1
	9	•2A708040	STOPPER,DRUM	1	1
	10	•33408341	PIN,DRUM RETAINING	1	1
	11	•34920170	FULCRUM PIN, FIXING	4	4
	12	•2A712020	RIGHT ADJUSTING PLATE,LPH	1	1
	13	•2A712090	RIGHT RETAINER,LPH	1	1
	14	•2A712080	VIBRATION INSULATOR,LPH	1	1
	15	•48128606	PIN,WIRE TENSION	2	2
●	16	•2A708090	GROUND PLATE ,DRUM	1	1
	17	•2A708080	STOPPER,DRUM GROUND	1	1
●	18	2A700280	LEFT DRUM HOLDER ASS'Y	1	1
	19	•2A708030	LEFT HOLDER,DRUM	1	1
●	20	•2A712070	PIN 48,ADJUSTMENT(M4)	1	1
●	21	•2AZ12050	PIN A,ADJUSTMENT	1	1
●	22	•65016080	STOP RING E3	2	2
	23	•2A708040	STOPPER,DRUM	1	1
	24	•33408341	PIN,DRUM RETAINING	1	1
	25	•34920170	FULCRUM PIN, FIXING	4	4
	26	•2A712030	LEFT ADJUSTING PLATE,LPH	1	1
	27	•2A712100	LEFT RETAINER,LPH	1	1
	28	•2A712080	VIBRATION INSULATOR,LPH	1	1
	29	•48128606	PIN,WIRE TENSION	2	2
●	30	2A793280	PARTS,ASS'Y GRID,SP	1	1
	31	•2A710030	SHIELD,GRID	1	1
●	32	•2A710040	FILM,CLEANING LAMP	1	1
●	33	•2AZ10110	LAMP,CLEANING	3	3
	34	•34010191	RIGHT HOUSING,GRID	1	1
	35	•34010150	SPRING,GRID	1	1
	36	•34010120	GROUND PLATE,GRID	1	1
	37	•34010181	LEFT HOUSING,GRID	1	1
	38	•34010200	ELECTRODE,GRID	1	1
	39	•34010110	PIN,GRID	1	1
●	40	•34093141	PARTS GRID CHARGE(SP)	1	1

- Parts with "•" are component parts or sub-assemblies of the assembly appearing immediately above them.
- Parts with "●" indicates the spare parts.

SP	Ref. No.	Part. No.	Description	Quantity	
				120V	230V
	41	•34010280	SPACER,GRID	2	2
	42	•2A727190	WIRE,CHARGE UNIT	1	1
	43	•M0207000	BINDING BAND,KB-100-1	7	7
●	44	2A793270	PARTS,ASS'Y MAIN CHARGER,SP	1	1
	45	•2A710010	SHIELD,MAIN	1	1
	46	•2A710020	COUPLER,SHIELD MAIN	2	2
	47	•34010290	GROUND PLATE,MAIN	1	1
●	48	•34068080	RIGHT MAIN HOUSING ASS'Y	1	1
	49	••34010090	RIGHT HOUSING,MAIN	1	1
	50	••34010101	RIGHT LID,MAIN	1	1
●	51	•34093990	SET LEFT MAIN HOUSING	1	1
	52	••34010170	PIN,MAIN	1	1
	53	••28210041	ADJUSTER,CHARGER WIRE	1	1
	54	••34010080	LEFT LID,MAIN	1	1
	55	••34010160	ELECTRODE,MAIN	1	1
	56	••34010071	LEFT HOUSING,MAIN	1	1
●	57	•74710050	SPRING,MAIN CHARGER WIRE	1	1
●	58	2A768020	WIRE,CHARGER	1	1
●	59	34000200	TERMINAL BASE CHARGER ASS'Y	1	1
	60	•34010230	SPRING,ELECTRODE GRID	1	1
	61	•34010240	SPRING,ELECTRODE MAIN	1	1
	62	•34010060	TERMINAL BASE,CHARGER	1	1
	63	•34010210	TERMINAL,MAIN	1	1
	64	•34010220	TERMINAL,GRID	1	1
●	65	2A782010	SET,DRUM	1	1

- Parts with "••" are component parts or sub-assembly with "•" appearing immediately above them.

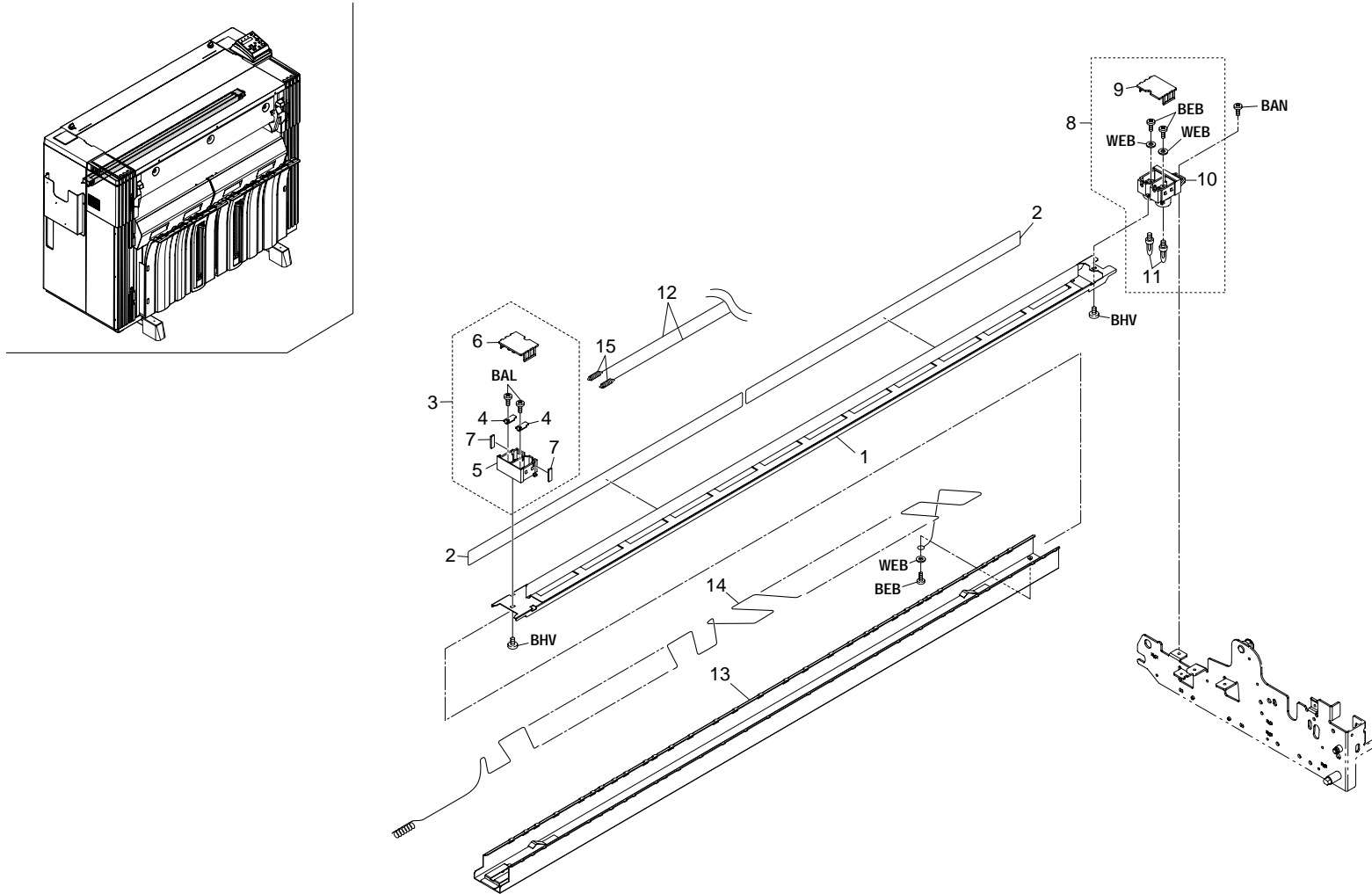


FIG. 8 IMAGING UNIT II

2BA-1/2BB-1

SP	Ref. No.	Part. No.	Description	Quantity	
				120V	230V
●		2A793250	PARTS, ASS'Y TRANSFER CHARGER, SP	1	1
	1	•34016091	INNER SHIELD, TRANSFER	1	1
	2	•74716322	FILM ST CHARGER	2	2
●	3	•2AZ68091	LEFT TRANSFER HOUSING ASS'Y(S P)	1	1
	4	••2AZ16190	ELECTRODE, TRANSFER	2	2
	5	••2AZ16171	LEFT HOUSING, TRANSFER	1	1
	6	••28216072	LID, TC HOUSING	1	1
●	7	••74716330	SEAL ST CHARGER HOUSING	2	2
●	8	•73368070	FRONT TC HOUSING ASS'Y	1	1
	9	••28216072	LID, TC HOUSING	1	1
	10	••28216051	FRONT HOUSING, TC	1	1
●	11	••41728204	BANANA-TIP CONNECTOR	2	2
●	12	•74716280	ST CHARGER WIRE	1	1
	13	•2A716100	OUTER SHIELD, TRANSFER	1	1
●	14	•2A716220	STRING, TRANSFER CHARGER	1	1
●	15	•74710050	SPRING, MAIN CHARGER WIRE	2	2

- Parts with "•" are component parts or sub-assemblies of the assembly appearing immediately above them.
- Parts with "●" indicates the spare parts.

- Parts with "••" are component parts or sub-assembly with "•" appearing immediately above them.

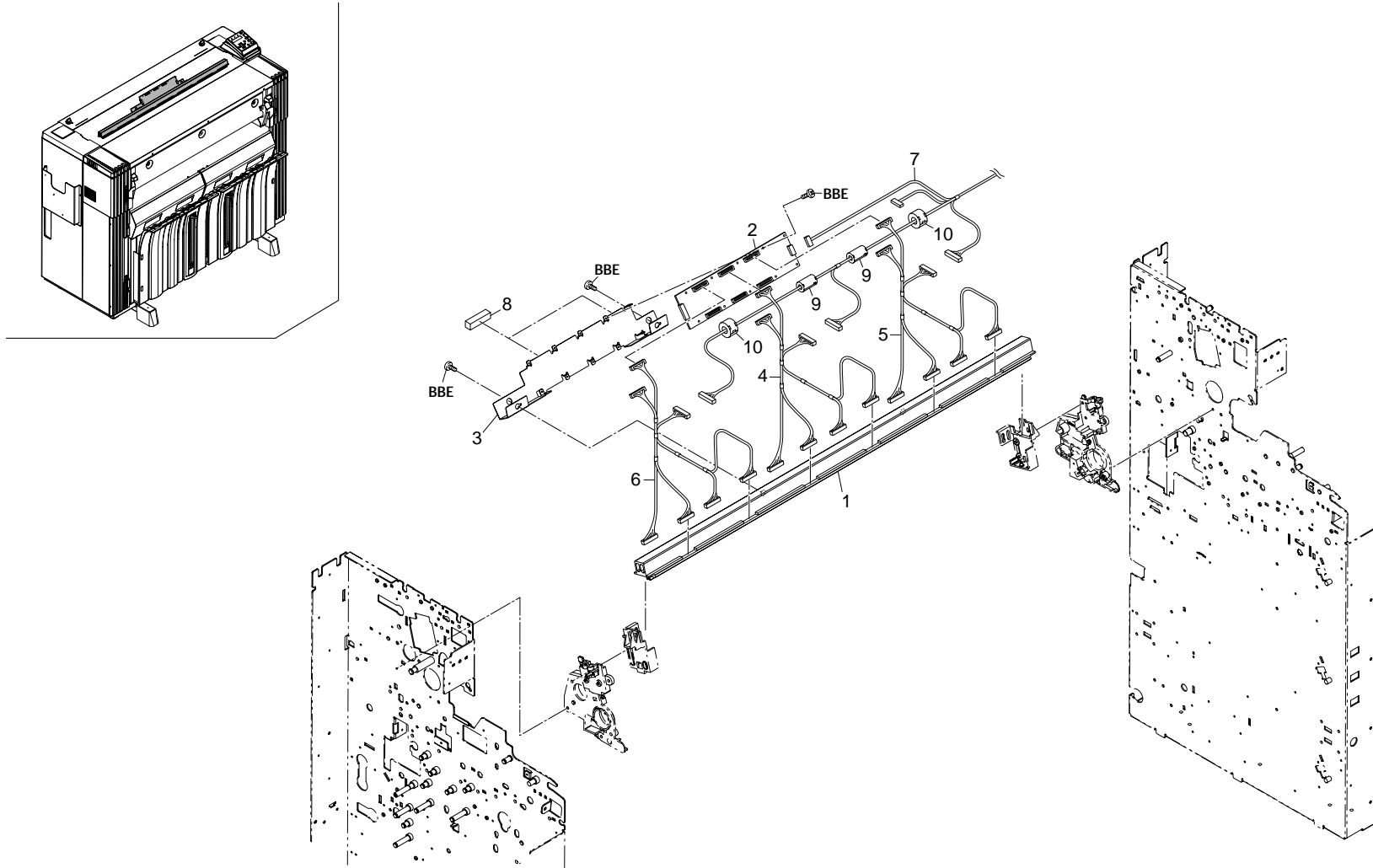


FIG. 9 OPTICAL SECTION

2BA/2BB

SP	Ref. No.	Part. No.	Description	Quantity	
				120V	230V
●	1	2A793030	PARTS, ASS'Y LPH(SP)	1	1
●	2	2A701021	LPH MAIN PCB ASS'Y	1	1
	3	2A726070	MOUNT, HDC PCB	1	1
	4	2A727070	INNER WIRE, LPH	1	1
	5	2A727090	RIGHT WIRE, LPH	1	1
	6	2A727080	LEFT WIRE, LPH	1	1
	7	2A727370	JUNCTION WIRING, LPH	1	1
	8	36527090	SHIELD 60, GASKET	2	2
	9	33927580	CORE 9-20X32		2
	10	2A027770	CORE 15-25X12(R)		2

- Parts with "•" are component parts or sub-assemblies of the assembly appearing immediately above them.
- Parts with "●" indicates the spare parts.

- Parts with "••" are component parts or sub-assembly with "•" appearing immediately above them.

FIG. 10 DEVELOPING UNIT

2BA/2BB

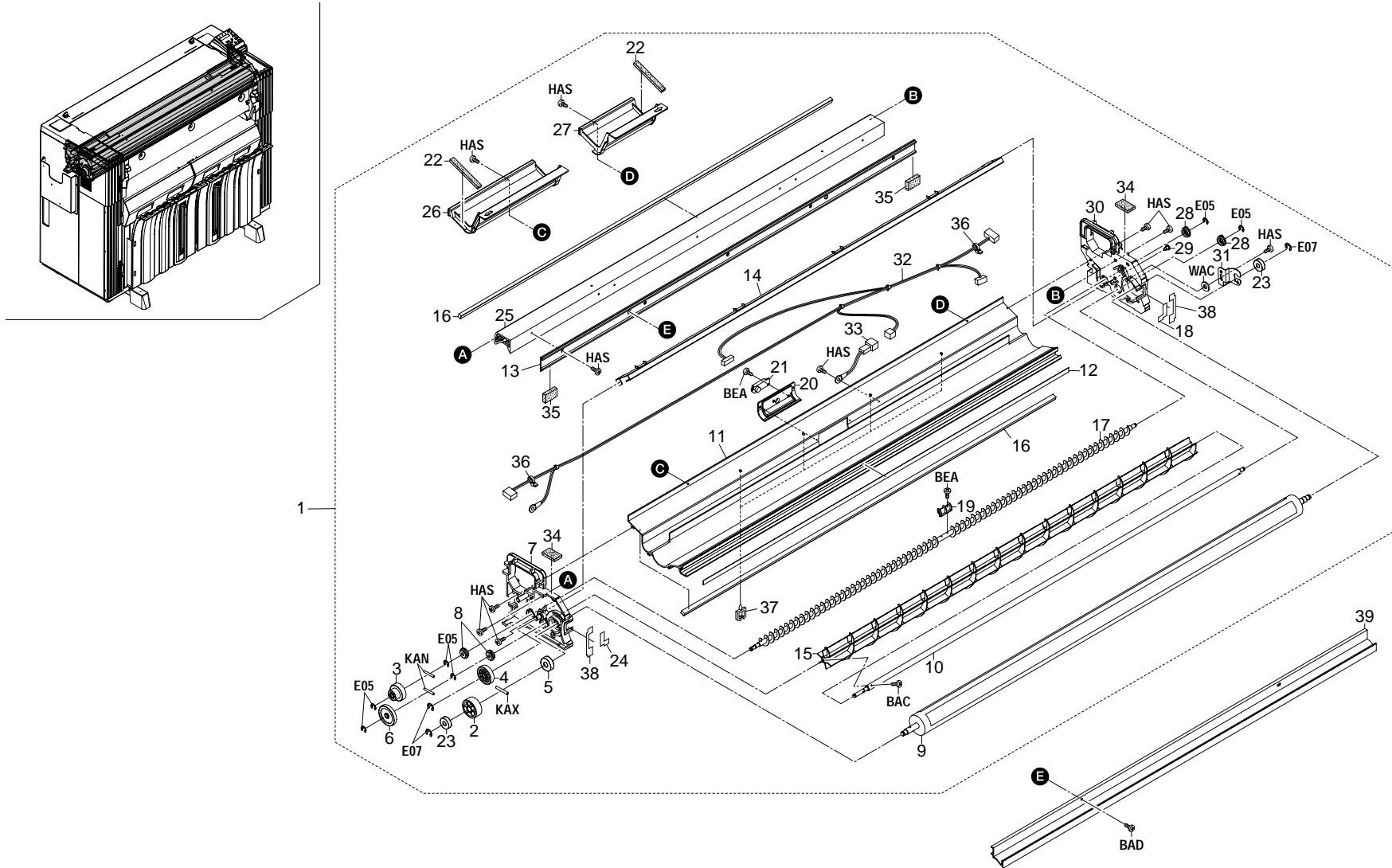


FIG. 10 DEVELOPING UNIT

2BA-1/2BB-1

SP	Ref. No.	Part. No.	Description	Quantity	
				120V	230V
●	1	2A793230	PARTS,ASS'Y DEVELOPING,SP	1	1
●	2	•2AZ14120	GEAR,DEVELOPING ROLLER	1	1
●	3	•2AZ14130	GEAR,DEVELOPING PADDLE	1	1
●	4	•2AC22630	GEAR 31,RESISTRATION	1	1
●	5	•2A714250	BEARING,DEVELOPING	1	1
●	6	•45729434	GEAR,AGITATION ROTOR	1	1
	7	•2A714040	LEFT FRAME,DEVELOPING	1	1
●	8	•34914370	REAR BUSHING, SPIRAL	2	2
	9	•2A714010	ROLLER S,DEVELOPING	1	1
	10	•2A714080	SHAFT,DEVELOPING PADDLE	1	1
	11	•2A714020	HOUSING,DEVELOPING	1	1
●	12	•2A714160	FILM,TONER RECEIVING	1	1
	13	•2A714060	DOCTOR BLADE,DEVELOPING	1	1
	14	•2A714070	PARTITION,DEVELOPING	1	1
	15	•2A714090	PADDLE,DEVELOPING	15	15
●	16	•2A714170	SPONGE,DEVELOPING STAY	2	2
	17	•2A714100	SPIRAL,DEVELOPING	1	1
●	18	•2A714210	RIGHT FILM,DEVELOPING	1	1
●	19	•2A768090	AGITATION PLATE FILM ASS'Y(S P)	1	1
	20	•2AZ14140	MOUNT,TONER CONTOROL SENSOR	1	1
●	21	•35914830	SENSOR, TONER	1	1
●	22	•2A714180	UPPER SPONGE,DEVELOPING LID	2	2
●	23	•G3006080	BEARING,#608ZZ	2	2
●	24	•2A714220	LEFT FILM,DEVELOPING	1	1
	25	•2A714050	STAY,DEVELOPING	1	1
	26	•2A714130	LEFT LID,DEVELOPING	1	1
	27	•2A714120	RIGHT LID,DEVELOPING	1	1
	28	•75915090	BUSHING AGITATION ROTOR SHAFT	2	2
	29	•34920170	FULCRUM PIN, FIXING	1	1
	30	•2A714030	RIGHT FRAME,DEVELOPING	1	1
	31	•2AZ14200	TERMINAL,DEVELOPING BIAS	1	1
	32	•2A727170	WIRE,DEVELOPING	1	1
●	33	•18514340	THERMISTOR,DEVELOPING	1	1
●	34	•2AZ14180	UPPER FRONT SPONGE,DEVELOPING	2	2
●	35	•2AZ14191	SPONGE,DOCTOR BLADE	2	2
	36	•M0207000	BINDING BAND,KB-100-1	2	2
	37	•M2109000	WIRE SADDLE,WS-1NS	4	4
●	38	•2A714230	SEAL,DEVELOPING LEFT RIGHT	2	2
●	39	2A793190	PARTS,FRONT NCOVER DEVELOPING(SP)	1	1

- Parts with "•" are component parts or sub-assemblies of the assembly appearing immediately above them.
- Parts with "●" indicates the spare parts.

- Parts with "••" are component parts or sub-assembly with "•" appearing immediately above them.

FIG. 11 HOPPER SECTION

2BA-1/2BB-1

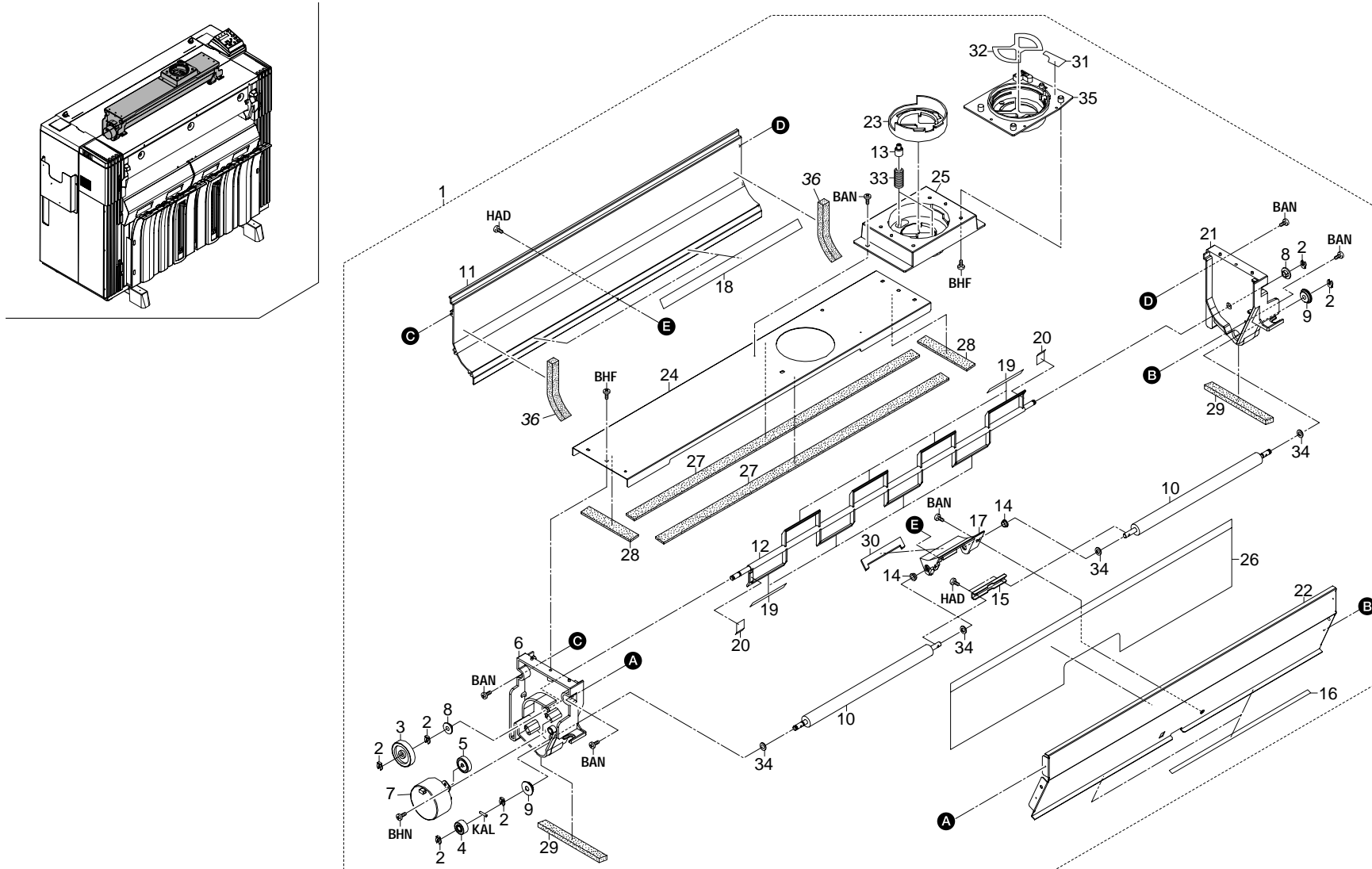


FIG. 11 HOPPER SECTION

2BA-1/2BB-1

SP	Ref. No.	Part. No.	Description	Quantity	
				120V	230V
●	1	2A793200	PARTS,ASS'Y HOPPER,USA(SP)	1	
●	1	2A700391	HOPPER ASS'Y		1
●	2	•75812080	STOP RING 4	6	6
●	3	•45727604	GEAR 34,AGITATION ROLLER	1	1
●	4	•29807100	GEAR 16,BYPASS	1	1
	5	•2AZ15210	GEAR 20,TONER MOTOR	1	1
	6	•2A715030	LEFT FRAME,HOPPER	1	1
●	7	•36793270	PARTS,MOTOR TONER SUPPLY(SP)	1	1
●	8	•49028116	BUSHING 6,CLEANING UNIT	2	2
●	9	•67318070	BUSHING,SPIRAL	2	2
●	10	•2AZ15010	ROLLER,TONER SUPPLY	2	2
	11	•2A715050	REAR STAY,HOPPER	1	1
	12	•2AZ15080	AGITATION BAR,HOPPER	1	1
	13	•36715560	STOPPER,HOPPER	2	2
●	14	•29822140	BUSHING,DRUM SHAFT	2	2
	15	•2AZ15070	JOINT,HOPPER	1	1
●	16	•2AZ15110	FILM,TONER SUPPLY	2	2
	17	•2AZ15060	INNER SUPPORT PLATE,HOPPER	1	1
●	18	•2AZ15120	FILM,HOPPER	2	2
●	19	•2AZ15130	INNER FILM,AGITATION	8	8
●	20	•2AZ15140	FILM,AGITATION LEFT RIGHT	2	2
	21	•2A715020	RIGHT FRAME,HOPPER	1	1
	22	•2A715040	FRONT STAY,HOPPER	1	1
	23	•2A715110	SHUTTER F,HOPPER(USA)	1	
	23	•2A715130	SHUTTER C,HOPPER(JPN)		1
	24	•2A715090	LOWER LID,HOPPER	1	1
	25	•2A715100	UPPER LID,HOPPER	1	1
●	26	•2AZ15150	FILM,HOPPER STAY	1	1
●	27	•2AZ15160	UPPER SPONGE,HOPPER	2	2
●	28	•2AZ15170	LEFT RIGHT SPONGE,HOPPER	2	2
●	29	•2AZ15190	LOWER SPONGE,HOPPER	2	2
●	30	•2AZ15200	SPONGE,HOPPER SUPPORT PLATE	1	1
●	31	•36705060	LABEL,TONER SUPPLY	1	1
●	32	•36715550	SEAL,HOPPER	1	1
●	33	•36715570	SPRING,HOPPER	2	2
●	34	•61714410	REAR SEAL,AGITATION PADDLE	4	4
	35	•2A715120	UPPER MOUNT BASE F,HOPPER(USA)	1	
	35	•36756181	UPPER MOUNT BASE C,HOPPER (R S)		1
●	36	•2A715150	REAR SPONGE,HOPPER	2	2

- Parts with "•" are component parts or sub-assemblies of the assembly appearing immediately above them.
- Parts with "●" indicates the spare parts.

- Parts with "••" are component parts or sub-assembly with "•" appearing immediately above them.

FIG. 12 CLEANING SECTION I

2BA-1/2BB-1

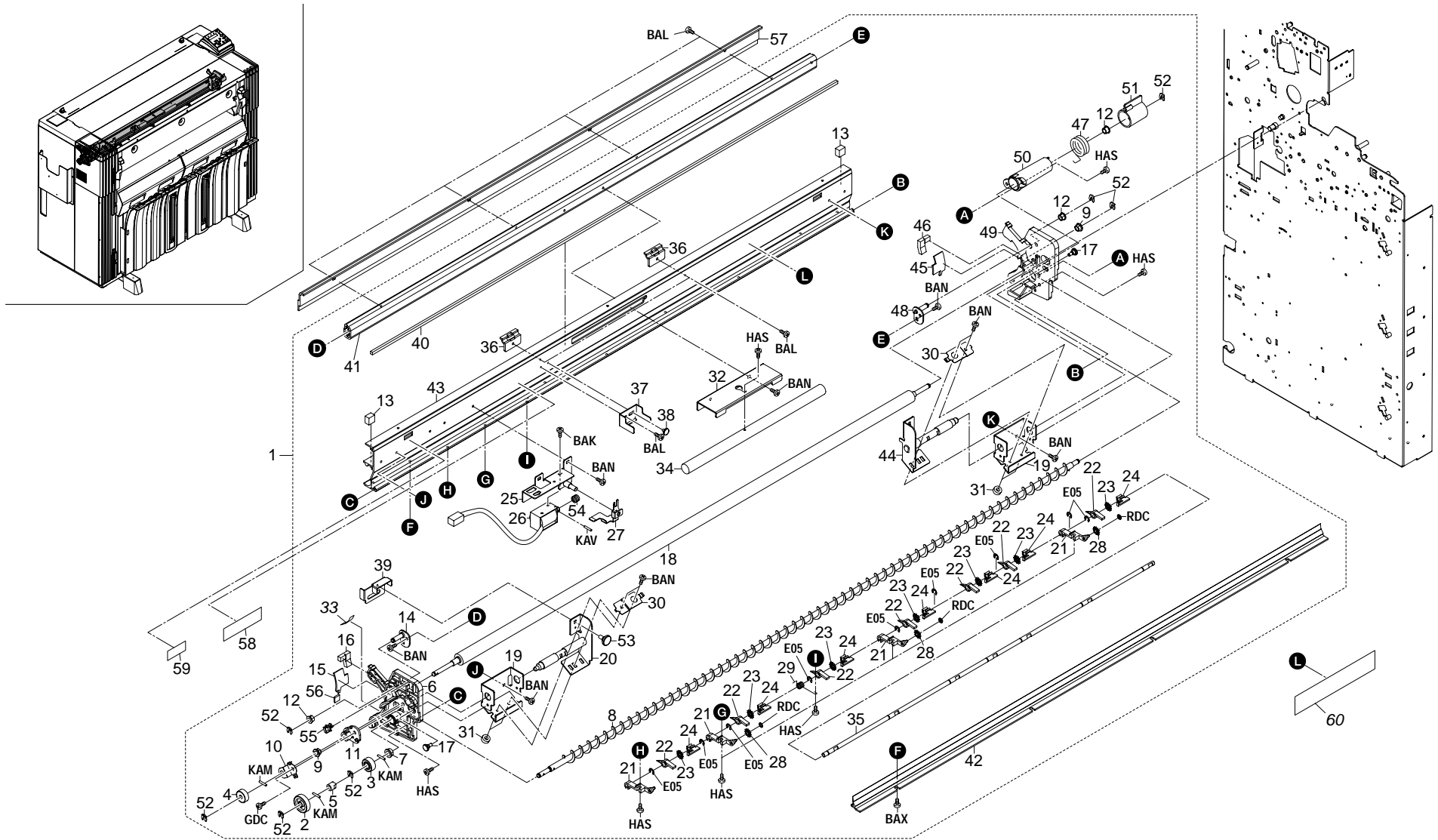


FIG. 12 CLEANING SECTION I

2BA-1/2BB-1

SP	Ref. No.	Part. No.	Description	Quantity	
				120V	230V
●	1	2A793240	PARTS, ASS'Y CLEANING, SP	1	1
●	2	•36714140	REAR GEAR 25, DEVELOPING	1	1
●	3	•36722860	GEAR 18	1	1
●	4	•34914210	GEAR 17, MAGNET ROLLER	1	1
●	5	•72107160	BUSHING 6, LOWER REGISTRATION ROLLER	1	1
●	6	•2A718020	LEFT FRAME, CLEANING	1	1
●	7	•49028112	BUSHING 8, LOWER REG. ROLLER	1	1
●	8	•2A718080	SPIRAL, CLEANING	1	1
●	9	•73210450	BUSH, 6	2	2
●	10	•2A718410	GROUND PLATE, FUR BRUSH	1	1
●	11	•2A718320	MOUNT, FUR BRUSH	1	1
●	12	•29717230	BUSHING 6, FEED BACK	3	3
●	13	•2A718450	SHIELD, CLEANING SIDE	2	2
●	14	•2A718180	LEFT FULCRUM PLATE, BLADE	1	1
●	15	•2A718151	LEFT SEAL, CLEANING	1	1
●	16	•2A718470	LEFT SHIELD, CLEANING BLADE SIDE	1	1
●	17	•48128606	PIN, WIRE TENSION	2	2
●	18	•2A793060	PARTS, FUR BRUSH CLEANING (SP)	1	1
●	19	•2A718350	MOUNT, FULCRUM PIN	2	2
●	20	•2A718340	LEFT FULCRUM PLATE, CLEANING RETAINING	1	1
●	21	•67816151	BUSHING, SEPARATION	4	4
●	22	•78618240	SEPARATION CLAW DRUM	7	7
●	23	•67816170	GUIDE, SEPARATION	7	7
●	24	•67816160	GUIDE, SEPARATION CLAW	7	7
●	25	•67816130	MOUNT, SEPARATION SOLENOID	1	1
●	26	•67827360	CLICK SOLENOID	1	1
●	27	•2A718090	LEVER, SEPARATION SOLENOID	1	1
●	28	•71818200	RATCHET, SEPARATION	3	3
●	29	•67816180	SPRING, SEPARATION	1	1
●	30	•2A718440	POSITIONING PLATE, MAIN CHARGER	2	2
●	31	•2A902020	PROTECTOR, EDGE	4	4
●	32	•67818130	MOUNT, WEIGHT	1	1
●	33	•2A718560	SHIELD, SPIRAL SIDE	1	1
●	34	•67818110	WEIGHT, CLEANING BLADE	1	1
●	35	•34016110	SHAFT, SEPARATION	1	1
●	36	•2A718530	VIBRATION INSULATOR, CLEANING BLADE	2	2
●	37	•2A718500	SLIDE PLATE, BLADE RELEASE	1	1
●	38	•72114320	PIN, DEV. UNIT HANDLE	1	1
●	39	•2A718360	RETAINER, MAIN CHARGER	1	1
●	40	•2A718130	SHIELD, HOUSING	1	1

SP	Ref. No.	Part. No.	Description	Quantity	
				120V	230V
●	41	•2A718050	MOUNT, CLEANING BLADE	1	1
●	42	•2A793070	PARTS, LOWER BLADE CLEANING (SP)	1	1
●	43	•2A718030	HOUSING, CLEANING	1	1
●	44	•2A718330	RIGHT FULCRUM PLATE, CLEANING RETAINING	1	1
●	45	•2A718140	RIGHT SEAL, CLEANING	1	1
●	46	•2A718460	RIGHT SHIELD, CLEANING BLADE SIDE	1	1
●	47	•2A718120	SPRING, NOZZLE	1	1
●	48	•2A718170	RIGHT FULCRUM PLATE, BLADE	1	1
●	49	•2A718010	RIGHT FRAME, CLEANING	1	1
●	50	•2A718110	NOZZLE, CLEANING	1	1
●	51	•2AZ18160	CAP, NOZZLE	1	1
●	52	•34806140	STOPPER 4	7	7
●	53	•72918050	PIN, BLADE ARM	1	1
●	54	•78318330	SPRING SEPARATION CLAW SOLENOID	1	1
●	55	•M7009020	WIRE SADDLE, LWS-1N-V0F (TAKEUCHI)	1	1
●	56	•2A718550	LOWER LEFT SHIELD, CLEANING	1	1
●	57	2A793050	PARTS, BLADE CLEANING (SP)	1	1
●	58	29705100	CAUTION LABEL, DRUM	1	1
●	59	2AG05200	LABEL, HIGH VOLTAGE CAUTION (EXP)	1	1
●	60	2AG05190	LABEL, PINCH CAUTION	1	1

- Parts with "•" are component parts or sub-assemblies of the assembly appearing immediately above them.
- Parts with "●" indicates the spare parts.

- Parts with "••" are component parts or sub-assembly with "•" appearing immediately above them.

FIG. 13 CLEANING SECTION II

2BA-1/2BB-1

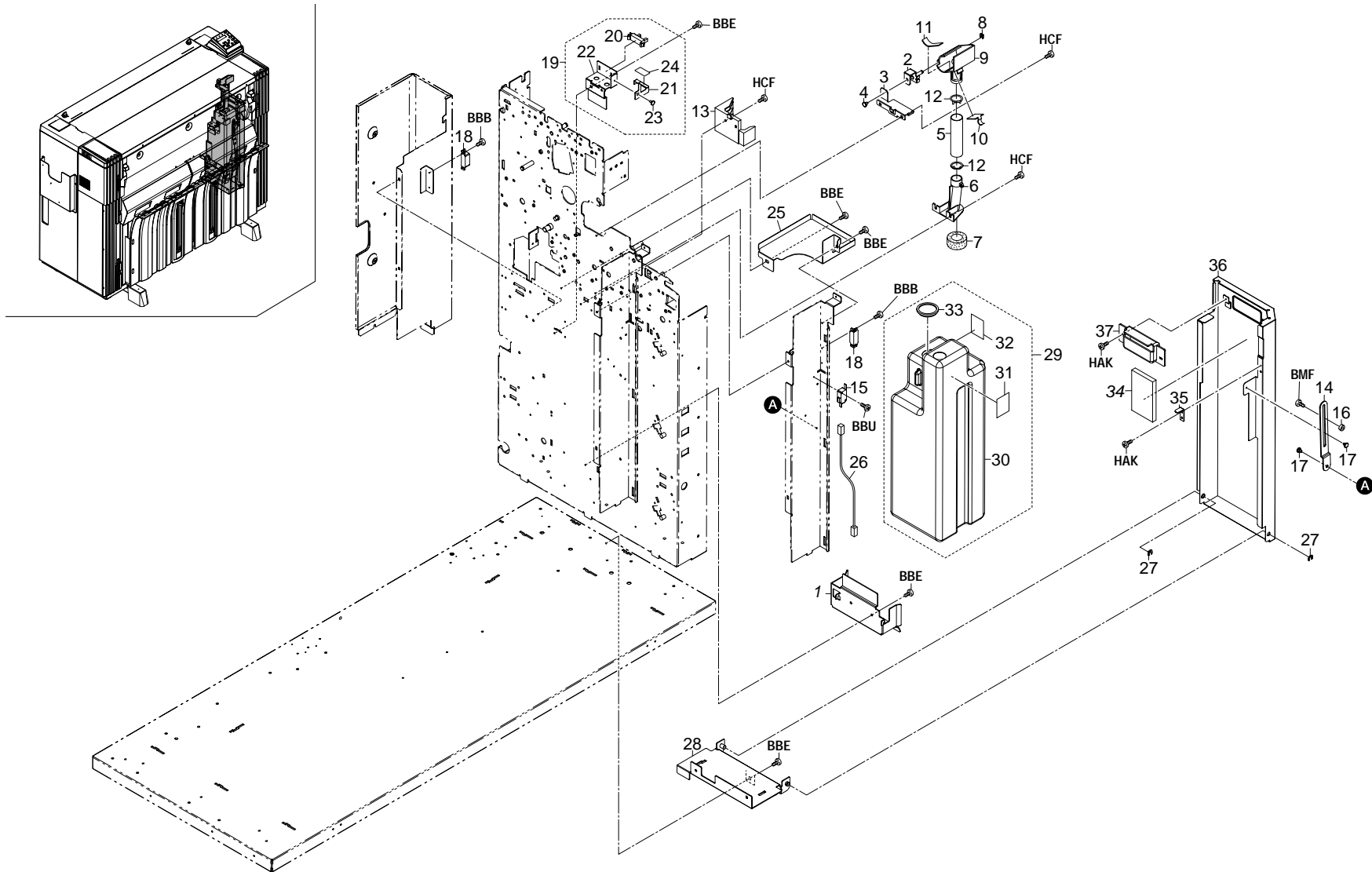


FIG. 13 CLEANING SECTION II

2BA-1/2BB-1

SP	Ref. No.	Part. No.	Description	Quantity	
				120V	230V
	1	2A718260	FULCRUM PLATE, DISPOSAL TANK	1	1
	2	2A718370	JUNCTION PLATE, DUCT	1	1
	3	2A718190	RETAINER, DUCT	1	1
	4	71802210	PIN, DRUM LIFT	1	1
	5	2A718400	COUPLER, TONER DISPOSAL	1	1
	6	2AZ18330	PIPE, TONER DISPOSAL	1	1
●	7	2AZ18360	SEAL, TONER DISPOSAL	1	1
●	8	34806140	STOPPER 4	1	1
	9	2AZ18170	DUCT, DISPOSAL TONER	1	1
	10	2A718430	SPRING, DUCT	1	1
●	11	2AZ18390	SEAL, CLEANING DUCT	1	1
	12	2AZ18370	SHIELD, TUBE	2	2
	13	2A718520	GUIDE, DISPOSAL TANK	1	1
	14	2A718480	ARM, RELEASE	1	1
●	15	61727530	INTERLOCK SWITCH A	1	1
	16	2A902020	PROTECTOR, EDGE	1	1
	17	48129208	PIN, TENSION	2	2
	18	44728101	MAGNET CATCHER	2	2
●	19	2AZ00341	DISPOSAL TANK DETECTION ASS'Y	1	1
	20	•74718390	OVERFLOW SENSOR	1	1
	21	•2AZ18230	DETECTION PLATE, DISPOSAL TANK	1	1
	22	•2AZ18220	MOUNT, OVERFLOW	1	1
	23	•72918050	PIN, BLADE ARM	1	1
	24	•2A718540	FILM, DISPOSAL TANK DETECTION	1	1
	25	2A726920	UPPER PARTITION, DISPOSAL TANK	1	1
	26	2A727510	RIGHT WIRE, DOOR SWITCH	1	1
●	27	34806480	STOPPER 6	2	2
	28	2A718390	FULCRUM PLATE, COVER DISPOSAL TANK	1	1
●	29	2A760010	DISPOSAL TANK ASS'Y (6 pieces for a carton)	1	1
	30	•2A718230	TANK, TONER DISPOSAL	1	1
	31	•48828112	TAPE, TONER TANK	1	1
	32	•36505111	LABEL, TONER DISPOSAL TANK	1	1
	33	•67818410	LID, TONER DISPOSAL TANK	1	1
●	34	2A718490	CUSHION, COVER DISPOSAL TANK	1	1
	35	67804170	PROJECTION, SWITCH	1	1
●	36	2A704030	COVER, DISPOSAL TANK	1	1
	37	2AZ04370	HANDLE, DISPOSAL TANK COVER	1	1

- Parts with "•" are component parts or sub-assemblies of the assembly appearing immediately above them.
- Parts with "●" indicates the spare parts.

- Parts with "••" are component parts or sub-assembly with "•" appearing immediately above them.

FIG. 14 FIXING SECTION I

2BA-1/2BB-1

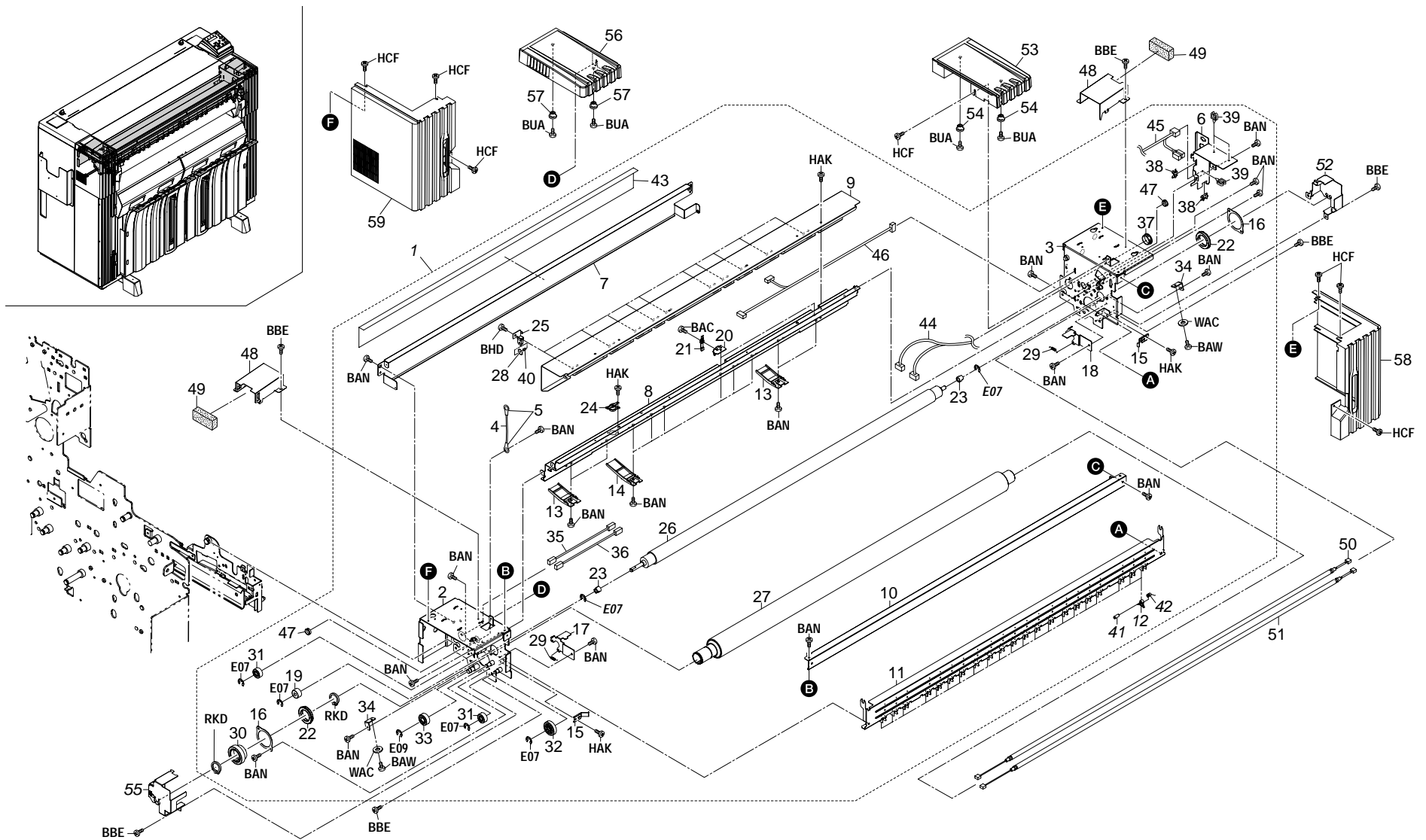


FIG. 14 FIXING SECTION I

2BA-1/2BB-1

SP	Ref. No.	Part. No.	Description	Quantity	
				120V	230V
●	1	2A793221	PARTS, ASS'Y FIXING, SP	1	1
	2	●2A720041	LEFT FRAME, FIXING	1	1
	3	●2A720052	RIGHT FRAME, FIXING	1	1
	4	●67401030	GRANDING WIRING ASS'Y	1	1
	5	●●L0023070	ROUND TYPE TERMINAL, 173636-1	2	2
	6	●2A720411	MOUNT, FIXING WIRE	1	1
	7	●2A723040	LOWER PARTITION, COOLING	1	1
	8	●2A720091	UPPER PARTITION, FIXING	1	1
	9	●2A720101	COVER, FIXING	1	1
	10	●2A720160	FRONT REINFORCEMENT, FIXING	1	1
	11	●2A720191	MOUNT, HEAT ROLLER SEPARATION CLAW	1	1
●	12	●2AZ20430	SEPARATION CLAW, HEAT ROLLER	21	21
	13	●2A720480	FRONT GUIDE, FIXING	4	4
	14	●2AZ20370	FRONT GUIDE, FIXING	6	6
	15	●2A720420	FRONT SPRING, COVER	2	2
	16	●34020250	HOLDER, BEARING FIXING	2	2
	17	●2A720580	LEFT MOUNT, SPRING OIL	1	1
	18	●2A720570	RIGHT MOUNT, SPRING OIL	1	1
	19	●2A720440	GEAR 18, OIL ROLLER	1	1
	20	●2A720210	UPPER MOUNT, THERMISTOR	2	2
●	21	●2A793170	PARTS, THERMISTOR FIXING (SP)	2	2
●	22	●45529400	BEARING, HEAT ROLLER 6806ZZNR	2	2
●	23	●29420691	BUSHING A, OIL ROLLER	2	2
●	24	●33920810	THERMOSTAT 140, FIXING (B)	1	1
●	25	●2AZ20490	MOUNT B, PULLEY ADMISSION	10	10
●	26	●2A793101	PARTS, ROLLER FIXING OIL (SP)	1	1
●	27	●2A793081	PARTS, ROLLER HEAT (SP)	1	1
●	28	●71818200	RATCHET, SEPARATION	10	10
●	29	●76007150	SPRING PAPER PAD PULLEY	2	2
●	30	●2AZ22430	GEAR 42, HEAT ROLLER	1	1
●	31	●2AZ22410	GEAR 20, IDLE	2	2
●	32	●2AC22630	GEAR 31, RESISTRATION	1	1
●	33	●2AZ22420	GEAR 24, IDLE	1	1
	34	●2AZ20400	PROJECTION, GUIDE ADMISSION	2	2
	35	●2A727670	JUNCTION WIRING A, FIXING THERMOSTAT	1	1
	36	●2A727680	JUNCTION WIRING B, FIXING THERMOSTAT	1	1
	37	●M1203510	OPEN BUSHING, OCB-1000	1	1
	38	●M2104200	EDGING EDS-1	2	2
	39	●M2105730	MINIATURE CLAMP, UAMS-07-0	3	3
	40	●2AZ20390	SHAFT, SEPARATION CLAW FIXING	10	10

SP	Ref. No.	Part. No.	Description	Quantity	
				120V	230V
	41	●2A720540	SHAFT, SEPARATION CLAW FIXING	21	21
●	42	●2A720550	SPRING, SEPARATION CLAW	21	21
	43	●2A723091	SEAL, COOLING PARTITION ADIABATIC	1	1
	44	●2A727141	WIRE A, DETACHING	1	1
	45	●2A727160	WIRE, FIXING	1	1
	46	●2A727230	JUNCTION WIRING, FIXING THERMISTOR	1	1
	47	●M1203220	OPEN BUSHING, OCB-625	2	2
●	49	2A723070	DUCT, COOLING FAN SUB	2	2
●	48	34023130	FILTER, COOLING	2	2
●	50	2A793130	PARTS, HEATER 120A FIXING (SP)	1	
●	50	2A793150	PARTS, HEATER 240A FIXING (SP)		1
●	51	2A793140	PARTS, HEATER 120B FIXING (SP)	1	
●	51	2A793160	PARTS, HEATER 240B FIXING (SP)		1
	52	2A720140	RIGHT MOUNT, HEATER	1	1
●	53	2A704410	UPPER RIGHT COVER, DETACHING	1	1
	54	66004210	COLLAR, HINGE	2	2
	55	2A720150	LEFT MOUNT, HEATER	1	1
●	56	2A704400	UPPER LEFT COVER, DETACHING	1	1
	57	66004210	COLLAR, HINGE	2	2
●	58	2A704390	RIGHT COVER, DETACHING	1	1
●	59	2A704380	LEFT COVER, DETACHING	1	1

- Parts with "●" are component parts or sub-assemblies of the assembly appearing immediately above them.
- Parts with "●●" indicates the spare parts.

- Parts with "●●" are component parts or sub-assembly with "●" appearing immediately above them.

FIG. 15 FIXING SECTION II

2BA-1/2BB-1

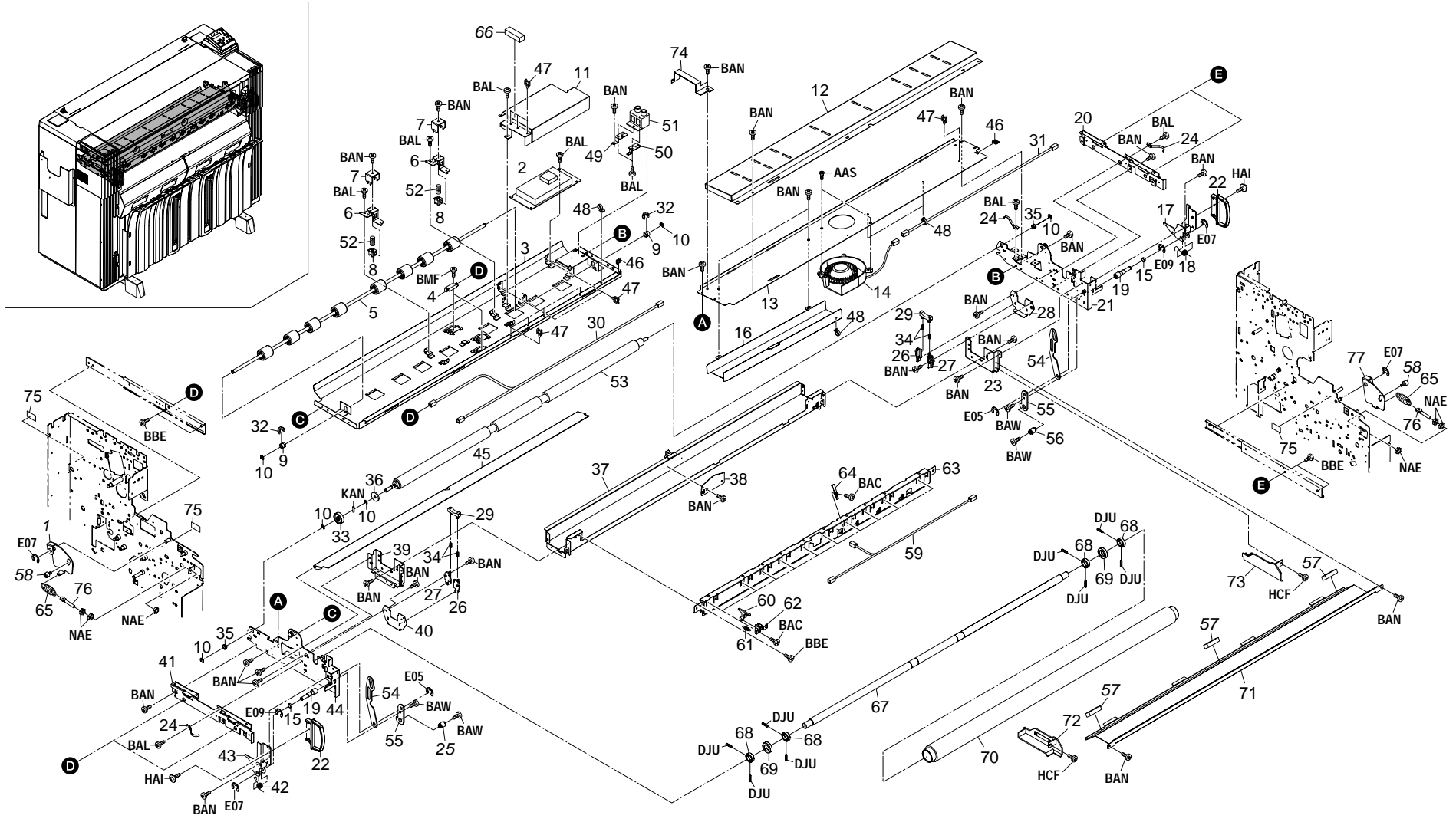


FIG. 15 FIXING SECTION II

2BA-1/2BB-1

SP	Ref. No.	Part. No.	Description	Quantity	
				120V	230V
●	1	2A720280	LEFT LEVER,SHAFT PRESSURE	1	1
	2	2A727020	TRANSFORMER,TRANSFER SEPARATION	1	1
	3	2A706030	UPPER GUIDE,BYPASS	1	1
●	4	63227150	SWITCH L,FEED	2	2
●	5	2A706080	UPPER ROLLER,BYPASS	1	1
	6	2A706320	SUPPORT PLATE,BYPASS BUSHING	2	2
	7	2A706380	STOPPER,BYPASS ROLLER	2	2
●	8	2A706330	BUSHING,BYPASS	2	2
●	9	49021700	BUSHING	2	2
●	10	34806480	STOPPER 6	6	6
	11	2A716200	COVER,TRANSFER HIGH VOLTAGE	1	1
	12	2A717140	GUIDE,CONVEYING	1	1
	13	2A717130	MOUNT,CONVEYING FAN	1	1
●	14	67827160	PAPER CONVEYING FAN	1	1
	15	74702120	COLLAR 12 DETACHABLE SECTION	4	4
	16	2A717150	DUCT,CONVEYING	1	1
	17	2A717101	RIGHT LEVER,DETACHING	1	1
	18	2AZ20210	LEFT SPRING,HOOK FIXING	1	1
	19	2A717070	PIN,DETACHING(M4)	2	2
	20	2A717040	RIGHT MOUNT,SLIDER	1	1
	21	2A717012	RIGHT FRAME,DETACHING	1	1
	22	2AZ17091	HANDLE,DETACHING	2	2
●	23	2A720061	RIGHT LOWER MOUNT,PARTITION FIXING	1	1
●	24	2A717120	GROUND PLATE,DETACHING	3	3
	25	2A717170	LEFT PIN,EJECT	1	1
●	26	67820210	GUIDE A,PRESS ROLLER	2	2
●	27	67820220	GUIDE B,PRESS ROLLER	2	2
	28	2A720230	RIGHT MOUNT,PRESSURE ROLLER GUIDE	1	1
●	29	2A720330	BUSHING,PRESS ROLLER	2	2
	30	2A727181	WIRE B,DETACHING	1	1
	31	2A727260	JUNCTION WIRING,CONVEYING FAN	1	1
	32	71821600	SPRING,UPPER EJECT ROLLER	2	2
●	33	33922330	GEAR 30,IDLE	1	1
●	34	34020260	SPRING,PRESS ROLLER	4	4
●	35	67322230	BUSHING 8	2	2
●	36	71622150	JOINT PULLEY	1	1
	37	2A720080	LOWER PARTITION,FIXING	1	1
	38	2AZ20240	ADJUSTING PLATE,GUIDE ADMISSION	1	1
	39	2A720071	LEFT LOWER MOUNT,PARTITION FIXING	1	1
	40	2A720240	LEFT MOUNT,PRESSURE ROLLER GUIDE	1	1

SP	Ref. No.	Part. No.	Description	Quantity	
				120V	230V
●	41	2A717030	LEFT MOUNT,SLIDER	1	1
	42	2AZ20200	RIGHT SPRING,HOOK FIXING	1	1
	43	2A717091	LEFT LEVER,DETACHING	1	1
	44	2A717022	LEFT FRAME,DETACHING	1	1
	45	2A720130	GUIDE,FIXING INSERTION	1	1
	46	M2104260	EDGING,EDS-0607U(KITAGAWA)	2	2
	47	M2105730	MINIATURE CLAMP,UAMS-07-0	10	10
	48	M2107120	BINDING BAND SG-130	4	4
	49	2AZ16130	ELECTRODE,TERMINAL BASE TC	1	1
	50	2AZ16141	ELECTRODE,TERMINAL BASE AC	1	1
	51	2AZ16150	TERMINAL BASE,TRANSFER	1	1
●	52	2A706351	SPRING,BYPASS ROLLER	2	2
●	53	2A716081	FRONT ROLLER,TRANSFER	1	1
	54	2A720181	SUPPORT PLATE,ASS'Y EJECT UNIT	2	2
	55	2A717180	REINFORCEMENT,FULCRUM PIN	2	2
	56	2A717160	RIGHT PIN,EJECT	1	1
	57	20327160	SHIELD 10X2X25,GASKET		3
	58	48128807	PIN,FRAME	2	2
	59	2A727411	JUNCTION WIRING,PRESS ROLLER THERMISTOR	1	1
●	60	36720493	CLAW,PRESS ROLLER	10	10
●	61	68320310	SPRING,SEPARATION CLAW	10	10
	62	2A720350	MOUNT,PRESSURE ROLLER SEPARATION CLAW	10	10
	63	2A720470	LOWER MOUNT,THERMISTOR		1
	63	2A720600	LOWER MOUNT,THERMISTOR(INCH)	1	
●	64	2A793170	PARTS,THERMISTOR FIXING(SP)	1	1
	65	2A720530	SPRING,FIXING	2	2
	66	2AC12620	MIDDLE SHIELD,GASKET CCD	1	1
	67	2A720031	SHAFT,PRESSURE	1	1
	68	2A720510	COLLAR,PRESS ROLLER	4	4
●	69	36520720	BEARING,PRESS ROLLER	2	2
●	70	2A793090	PARTS,ROLLER PRESSURE FIXING(SP)	1	1
●	71	2A704420	LOWER COVER,DETACHING	1	1
●	72	2A704430	LOWER LEFT COVER,DETACHING	1	1
●	73	2A704440	LOWER RIGHT COVER,DETACHING	1	1
	74	2A716240	RETAINER,TRANSFER	1	1
	75	2AG05200	LABEL,HIGH VOLTAGE CAUTION(EXP)	3	3
	76	29720420	ROD,PRESSING SPRING	2	2
	77	2A720270	RIGHT LEVER,SHAFT PRESSURE	1	1

- Parts with "●" are component parts or sub-assemblies of the assembly appearing immediately above them.
- Parts with "●●" indicates the spare parts.

- Parts with "●●" are component parts or sub-assembly with "●" appearing immediately above them.

FIG. 16 DRIVING, COLLING SECTION I

2BA-1/2BB-1

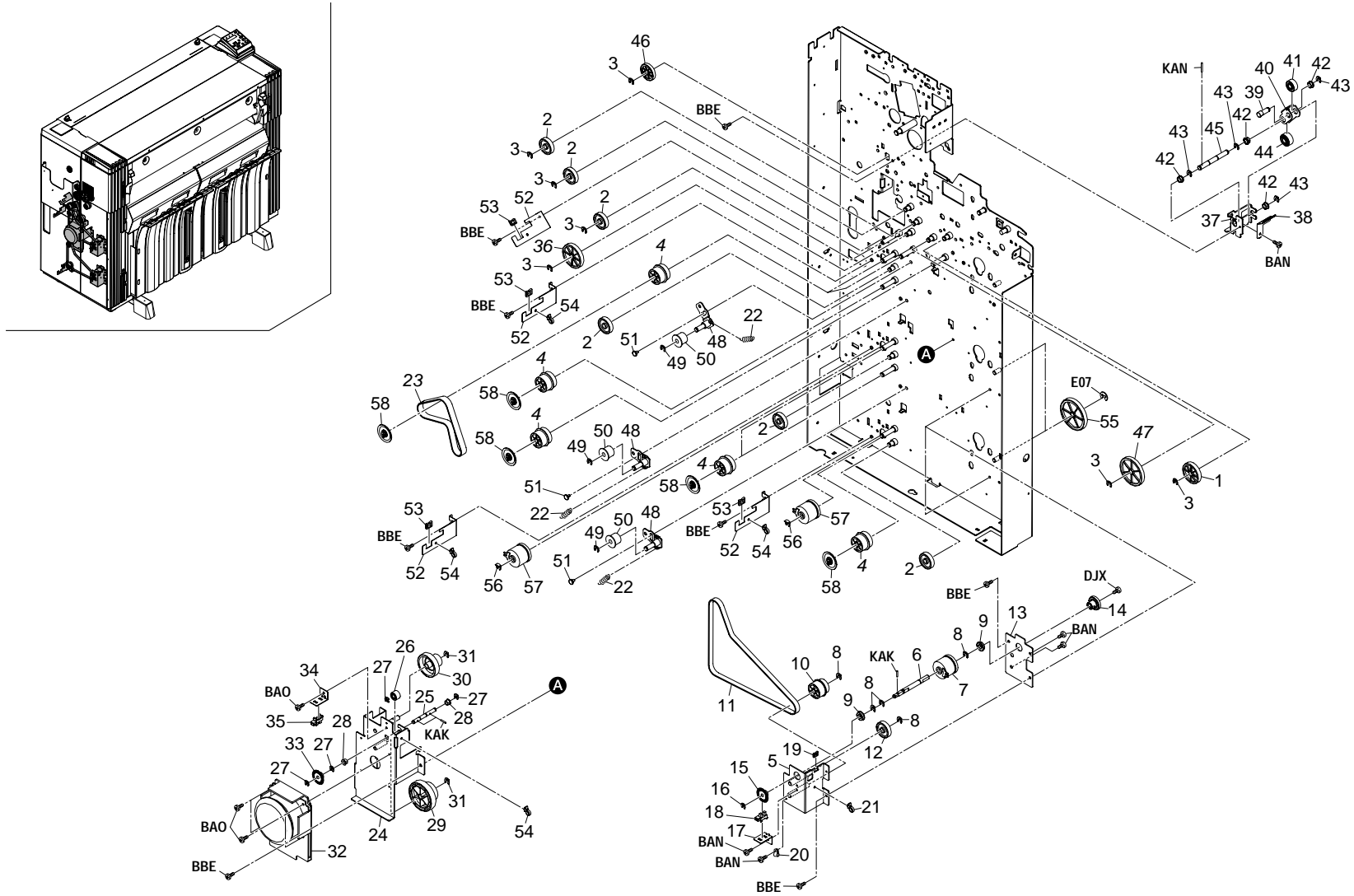


FIG. 16 DRIVING, COLLING SECTION I

2BA-1/2BB-1

SP	Ref. No.	Part. No.	Description	Quantity	
				120V	230V
●	1	2AC22460	GEAR 40,FEED	1	1
●	2	33922330	GEAR 30,IDLE	6	6
●	3	34806480	STOPPER 6	8	8
	4	2A722490	PULLEY 32/30	7	7
	5	2A722120	RETAINER,ROLL UP DRIVE	2	2
	6	2A722150	SHAFT,ROLL UP DRIVE	2	2
	7	2AZ27060	CLUTCH,PAPER FEED	2	2
●	8	34806480	STOPPER 6	10	10
●	9	2AZ22480	BUSHING 8-16,PAPER FEED	4	4
●	10	33922280	PULLEY 32/26,IDLE	2	2
●	11	2A722420	BELT,ROLL UP DRIVE	2	2
●	12	33922330	GEAR 30,IDLE	2	2
	13	2A722110	MOUNT,ROLL UP DRIVE	2	2
	14	67822270	GEAR 16,ROLL DRIVE	2	2
	15	75208110	PULSE SENSOR PLATE	2	2
●	16	34806140	STOPPER 4	2	2
	17	67822230	MOUNT,ROLL PI	2	2
●	18	35327400	SWITCH,FEED	2	2
	19	M2104260	EDGING,EDS-0607U(KITAGAWA)	2	2
	20	M2105740	MINIATURE CLAMP,UAMS-05S-2	2	2
	21	M2107120	BINDING BAND SG-130	2	2
●	22	72308120	SPRING, CLEANING BLADE	3	3
●	23	2A722380	BELT,PAPER FEED DRIVE	1	1
	24	2A722170	MOUNT,PAPER FEED MOTOR	1	1
	25	2A722300	SHAFT,ROLL PI	1	1
●	26	66014120	GEAR 14,MAGNET ROLLER	1	1
●	27	34806140	STOPPER 4	4	4
●	28	29717230	BUSHING 6,FEED BACK	2	2
●	29	2AR22080	GEAR 82/35	1	1
●	30	18522230	PULLEY 25/45,IDLE	1	1
●	31	34806480	STOPPER 6	2	2
●	32	2AC22500	MOTOR,MAIN	1	1
	33	75208110	PULSE SENSOR PLATE	1	1
	34	67822230	MOUNT,ROLL PI	1	1
●	35	35327400	SWITCH,FEED	1	1
●	36	2AC22450	GEAR 47,FEED	1	1
	37	2A722040	MOUNT,TRANSFER DRIVE	1	1
	38	2A722190	PLATE SPRING,TRANSFER DRIVE	1	1
	39	2A722460	SHAFT,TRANSFER DRIVE JOINT	1	1
	40	2A722050	JUNCTION PLATE,TRANSFER DRIVE	1	1

SP	Ref. No.	Part. No.	Description	Quantity	
				120V	230V
●	41	67822450	GEAR 20,IDLE	1	1
●	42	67322230	BUSHING 8	4	4
●	43	34806480	STOPPER 6	4	4
●	44	67822410	GEAR 22,PRE-TRANSFER DRIVE	1	1
	45	2A722060	SHAFT,TRANSFER DRIVE	1	1
●	46	2AZ22490	GEAR 32,TRANSFER DRIVE	1	1
●	47	33915240	GEAR,CARTRIDGE DRIVE IDLE	1	1
	48	2A722320	TENSION PLATE,PAPER FEED DRIVE	3	3
●	49	34806480	STOPPER 6	3	3
●	50	74322350	PULLEY,DRIVE TENSION	3	3
	51	71802210	PIN,DRUM LIFT	3	3
	52	2A722310	RETAINER,CLUTCH	4	4
	53	M2104200	EDGING EDS-1	4	4
	54	M2107120	BINDING BAND SG-130	4	4
●	55	2A707190	GEAR 40,ROLL DRIVE	2	2
●	56	33906630	STOPPER 5,RING	2	2
●	57	2AZ27060	CLUTCH,PAPER FEED	2	2
●	58	2A722350	FLANGE 36,PULLEY	7	7

- Parts with "●" are component parts or sub-assemblies of the assembly appearing immediately above them.
- Parts with "●●" indicates the spare parts.

- Parts with "●●" are component parts or sub-assembly with "●" appearing immediately above them.

FIG. 17 DRIVING, COLLING SECTION II

2BA-1/2BB-1

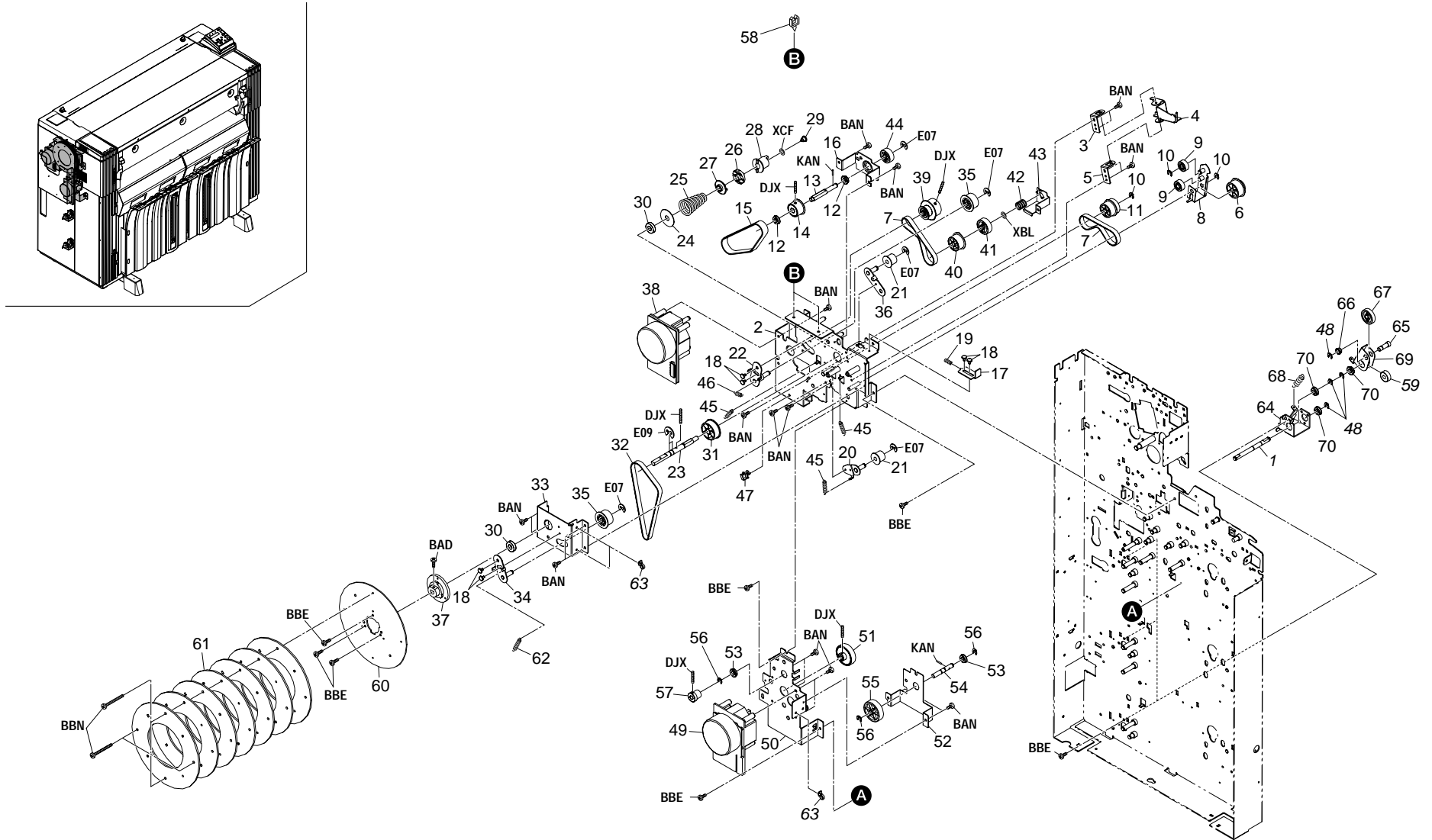


FIG. 17 DRIVING, COLLING SECTION II

2BA-1/2BB-1

SP	Ref. No.	Part. No.	Description	Quantity	
				120V	230V
	1	2A722070	SHAFT,ROLL DRIVE	3	3
	2	2A722180	MOUNT,IMAGE FORMATION DRIVE	1	1
	3	2A722470	UPPER SUPPORT PLATE,DRUM RELEASE	1	1
	4	2A222150	HOLDER,DRUM JOINT	1	1
	5	2A722480	LOWER SUPPORT PLATE,DRUM RELEASE	1	1
●	6	2A722400	PULLEY 36/22,CLEANING DRIVE	1	1
●	7	2A722410	BELT,CLEANING DRIVE	2	2
	8	2A722140	JOINT,CLEANING DRIVE	1	1
●	9	67822450	GEAR 20,IDLE	2	2
●	10	34806480	STOPPER 6	3	3
●	11	67822390	PULLEY 32,PRE-TRANSFER DRIVE	1	1
●	12	28107400	BEARING,688ZZNR	2	2
	13	2A722210	SHAFT,DEVELOPING DRIVE	1	1
	14	2A222270	PULLEY 30,DEVELOPING DRIVE	1	1
●	15	2A722370	BELT,DEVELOPING DRIVE	1	1
	16	2A722220	RETAINER,DEVELOPING DRIVE	1	1
	17	2A222170	POSITIONING PLATE,DRUM RELEASE	1	1
	18	71802210	PIN,DRUM LIFT	6	6
●	19	18307530	SPRING,HOOK PAPER FEED	1	1
	20	33922100	TENSION PLATE,DRUM DRIVE	1	1
●	21	74322350	PULLEY,DRIVE TENSION	2	2
	22	2A722270	TENSION PLATE,DEVELOPING DRIVE	1	1
	23	2A722280	SHAFT,DRUM DRIVE	1	1
	24	78622430	WASHER FIXING COUPLER	1	1
●	25	34022070	SPRING,FLYWHEEL	1	1
	26	2A222310	JUNCTION PLATE,DRUM COUPLER	1	1
	27	2A222300	COUPLER,DRUM DRIVE	1	1
	28	2A222320	COUPLER,DRUM FLANGE	1	1
	29	65011860	PIN,ORIGINAL MAT	1	1
●	30	45569005	CENTRAL BEARING	2	2
●	31	2A222250	PULLEY 40,DRUM DRIVE	1	1
●	32	2A722390	BELT,DRUM DRIVE	1	1
	33	2A722240	RETAINER,DRUM DRIVE	1	1
	34	2A222280	TENSION PLATE,DEVELOPING DRIVE	1	1
●	35	2A222330	PULLEY 32,IDLE	2	2
	36	67822380	TENSION PLATE,PRE-TRANSFER DRIVE	1	1
	37	18522331	RETAINER,FLYWHEEL	1	1
●	38	33427020	FIXING MOTOR	1	1
	39	2A722010	PULLEY 24/37,MAIN	1	1
●	40	34022240	PULLEY 32,TRANSFER	1	1

- Parts with "●" are component parts or sub-assemblies of the assembly appearing immediately above them.
- Parts with "●●" indicates the spare parts.

SP	Ref. No.	Part. No.	Description	Quantity	
				120V	230V
●	41	34022250	GEAR 30,TRANSFER	1	1
●	42	34022231	SPRING,TRANSFER DRIVE	1	1
	43	2A722290	HOLDER,TRANSFER DRIVE	1	1
●	44	2A222340	GEAR 25,DEVELOPING DRIVE	1	1
	45	72418140	SPRING, BLADE	3	3
●	46	65013290	SPRING,SCANNER TENSION	1	1
	47	M2109180	WIRE SADDLE,LWS-1S	1	1
●	48	34806480	STOPPER 6	12	12
●	49	2A227030	MOTOR,DRUM	1	1
	50	2A722260	MOUNT,DRUM MOTOR	1	1
	51	2A222220	GEAR 40,DRUM MOTOR	1	1
	52	2A722340	RETAINER,DRUM GEAR	1	1
●	53	28107400	BEARING,688ZZNR	2	2
	54	2A722330	SHAFT,DRUM GEAR	1	1
●	55	2A222210	GEAR 40,DRUM DRIVE	1	1
●	56	34806480	STOPPER 6	3	3
	57	2A222240	PULLEY 17,DRUM DRIVE	1	1
	58	M2109200	LOCKING WIRE SADDLE,LWS-3S-2W	2	2
●	59	45727601	GEAR 20,DEVELOPING UNIT	3	3
	60	34022051	FLYWHEEL A	1	1
	61	34022060	FLYWHEEL B	7	7
●	62	48528604	TENSION SPRING,CLUTCH	1	1
	63	M2107120	BINDING BAND SG-130	3	3
	64	2A722100	MOUNT,ROLL JOINT	3	3
	65	2A722080	SHAFT,ROLL DRIVE JOINT	3	3
●	66	67322230	BUSHING 8	3	3
●	67	33922330	GEAR 30,IDLE	3	3
●	68	48528208	SPRING,BLADE B	3	3
	69	2A722090	JUNCTION PLATE,ROLL DRIVE	3	3
●	70	28107400	BEARING,688ZZNR	9	9

- Parts with "●●" are component parts or sub-assembly with "●" appearing immediately above them.

FIG. 18 DRIVING, COLLING SECTION III

2BA-1/2BB-1

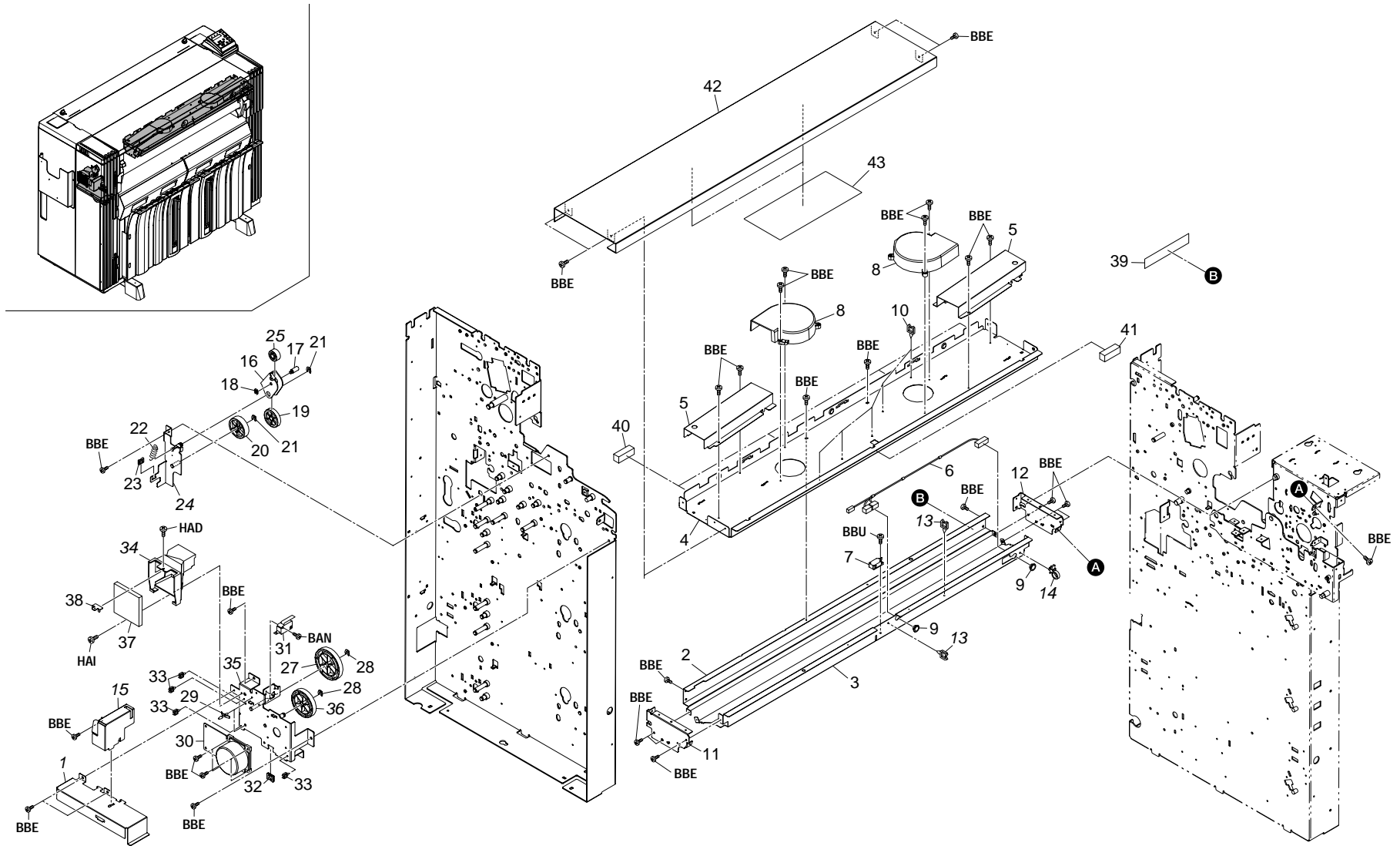


FIG. 18 DRIVING, COLLING SECTION III

2BA-1/2BB-1

SP	Ref. No.	Part. No.	Description	Quantity	
				120V	230V
	1	2A726630	COVER, FIXING MOTOR	1	1
	2	2A723050	REAR PARTITION, COOLING	1	1
	3	2A723030	FRONT PARTITION, COOLING	1	1
	4	2A723060	MOUNT, COOLING FAN	1	1
	5	2A723080	DUCT, COOLING FAN MAIN	2	2
	6	2A727250	JUNCTION WIRING, FIXING FAN	1	1
●	7	61727530	INTERLOCK SWITCH A	1	1
●	8	67827160	PAPER CONVEYING FAN	2	2
	9	M1203240	OPEN BUSHING, OCB-500	2	2
	10	M2105740	MINIATURE CLAMP, UAMS-05S-2	5	5
	11	2A723010	LEFT FRAME, COOLING	1	1
	12	2A723020	RIGHT FRAME, COOLING	1	1
	13	M2105730	MINIATURE CLAMP, UAMS-07-0	2	2
	14	M2107120	BINDING BAND SG-130	1	1
	15	2A726640	LEFT COVER, INTERLOCK SWITCH	1	1
	16	2AZ22460	JOINT, FIXING DRIVE	1	1
	17	2AZ22470	SHAFT, FIXING JOINT	1	1
●	18	75812080	STOP RING 4	1	1
●	19	34822100	GEAR 35	1	1
●	20	2AZ22210	GEAR 40, DRUM DRIVE	1	1
●	21	34806480	STOPPER 6	2	2
●	22	48528208	SPRING, BLADE B	1	1
	23	M2104260	EDGING, EDS-0607U(KITAGAWA)	1	1
	24	2A722160	MOUNT, FIXING JOINT	1	1
●	25	2AZ22400	GEAR 20, EJECT IDLE	1	1
●	27	2A722030	GEAR 21/63, IDLE	1	1
●	28	34806480	STOPPER 6	2	2
	29	M2108120	SPACER, KGLS-4S	2	2
●	30	2AC22520	MOTOR, PAPER FEED	1	1
●	31	61727530	INTERLOCK SWITCH A	1	1
	32	M2104210	EDGING, EDS-2	1	1
	33	M2105740	MINIATURE CLAMP, UAMS-05S-2	4	4
	34	2A716171	DUCT, TRANSFER	1	1
	35	2A722130	MOUNT, FIXING MOTOR	1	1
●	36	2A722020	GEAR 21/72, IDLE	1	1
●	37	67823080	FILTER, CONVEYING	1	1
	38	2AZ17120	RETAINER, FILTER	1	1
●	39	20305130	LABEL L, HIGH TEMPERATURE CAUTION(EXP)	1	
	40	2A727590	SHIELD 7X7X60, GASKET		4
	41	20327220	SHIELD 10X5X35, GASKET		1

SP	Ref. No.	Part. No.	Description	Quantity	
				120V	230V
●	42	2BA04010	UPPER COVER, DETACHING (KM-P4845w)	1	1
●	42	2BB04010	UPPER COVER, DETACHING (KM-P4850w)	1	1
●	43	67823060	HEAT SHIELD SEAL, COOLING FAN	2	2

- Parts with "●" are component parts or sub-assemblies of the assembly appearing immediately above them.
- Parts with "●●" indicates the spare parts.

- Parts with "●●" are component parts or sub-assembly with "●" appearing immediately above them.

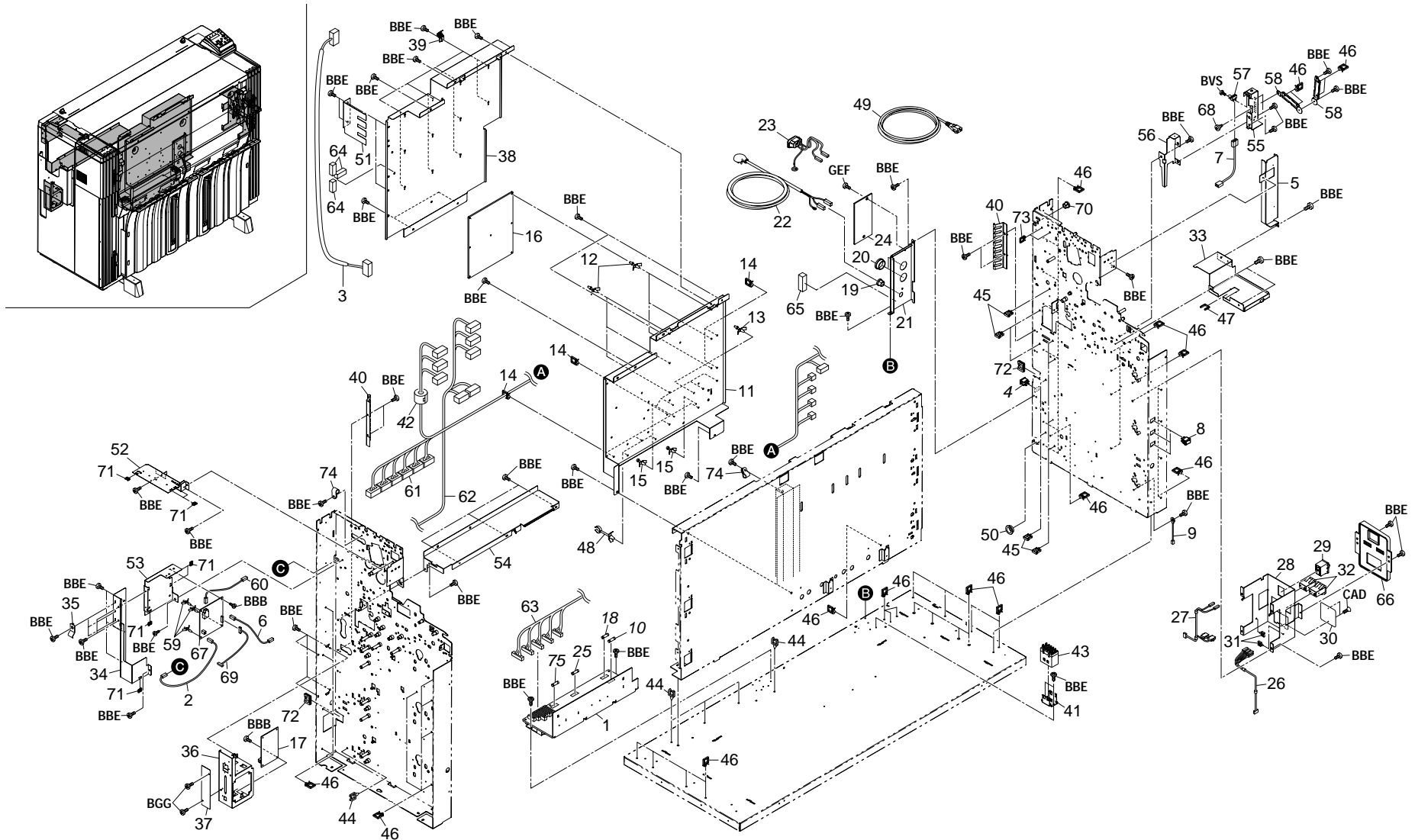


FIG. 19 ELECTRICAL COMPONENTS I

2BA-1/2BB-1

SP	Ref. No.	Part. No.	Description	Quantity	
				120V	230V
●	1	2A701162	POWER SOURCE ASS'Y(100)	1	
●	1	2A701173	POWER SOURCE ASS'Y(200)		1
	2	2A727440	WIRE,DEVELOPING BIAS	1	1
	3	2A727500	WIRE,LPH DATA	1	1
●	4	65227040	POWER SOURCE SWITCH	1	1
	5	2BA04060	INNER RIGHT MOUNT COVER	1	1
	6	34027320	WIRE,GRID	1	1
	7	34052750	JUNCTION WIRING,MAIN SWITCH (R C)	1	1
●	8	63527320	MAIN SWITCH M	3	3
●	9	67814120	THERMISTOR,DEVELOPING UNIT	1	1
●	10	M1661000	FUSE 15A,314015	1	
●	10	M1658010	FUSE,218008(LITTEL-FUSE)		1
	11	2A726010	MOUNT,MAIN PCB	1	1
	12	M2108120	SPACER,KGLS-4S	6	6
	13	M2108130	SPACER,KGPS-4S	1	1
	14	M2109210	LOCKING WIRE SADDLE,LWS-8S-2.5W	10	10
	15	M2109200	LOCKING WIRE SADDLE,LWS-3S-2W	2	2
●	16	2A793012	PARTS,ASS'Y ENGINE MAIN PCB(SP)	1	1
	17	3BT01130	NETWORK JUNCTION PCB ASS'Y(A0)	1	1
●	18	M1658010	FUSE,218008(LITTEL-FUSE)		1
	19	M1203550	STRAIN RELEAF BUSHING,SR-7W-2	1	
	21	2AZ26062	MOUNT,POWER CORD	1	
	21	2A726031	MOUNT 230,POWER CORD		1
	22	36701160	POWER CORD ASS'Y (120)	1	
	23	36701170	POWER INLET ASS'Y		1
	24	2A726230	LID,SIGNAL WIRE	1	1
●	25	M1660010	FUSE,237010(LITTEL)	1	
●	25	M1755010	FUSE,S505 5A(BUSSMANN)		1
	26	2AZ27280	JUNCTION WIRING,MAIN SWITCH	1	1
	27	2AZ27290	JUNCTION WIRING,MAIN SWITCH MOUNT	1	1
	28	2A726110	MOUNT,MAIN SWITCH	1	1
●	29	36727340	SWITCH,MAIN	1	1
	30	72404230	COVER, KEY COUNTER	1	1
	31	M2105730	MINIATURE CLAMP,UAMS-07-0	2	2
●	32	2AZ27070	COUNTER,TOTAL	2	2
	33	2A726131	PROTECTING PLATE,MAIN SWITCH	1	1
	34	2A726660	LOWER LEFT SHIELD,CIS WIRE	1	1
	35	34026130	GROUND PLATE D,NOIZE	3	3
	36	2A726910	MOUNT,SCANNER INTERFACE	1	1
	37	2A726151	LID,CABLE WIRE	1	1

SP	Ref. No.	Part. No.	Description	Quantity	
				120V	230V
	38	2A726091	COVER,MAIN PCB PCB	1	1
	39	2AR26360	GROUND PLATE,SCANNER UNIT	11	11
	40	2A713671	FRONT GROUND PLATE,SCANNER	2	2
	41	34027120	MOUNT BASE,POWER RELAY	1	1
	42	2A027760	CORE 11-23X14(R)		1
●	43	34027070	RELAY 4P,POWER	1	1
	44	M2109210	LOCKING WIRE SADDLE,LWS-8S-2.5W	5	5
	45	M2109180	WIRE SADDLE,LWS-1S	9	9
	46	M2109200	LOCKING WIRE SADDLE,LWS-3S-2W	44	44
	47	75726140	BUSHING 21X22	1	1
	48	M2109190	WIRE SADDLE,HL-38-0	2	2
	49	2AR27800	POWER CORD(230)		1
	50	M1203510	OPEN BUSHING,OCB-1000	1	1
	51	2A726170	GROUND PLATE,MAIN PCB SIDE		2
	52	2A726610	LEFT MOUNT,INVERTER PCB	1	1
	53	2A726620	MOUNT,HIGH VOLTAGE PCB	1	1
	54	2A726711	PRTITION,CIS DATA	1	1
	55	2A717110	RIGHT MOUNT,DETACHING SWITCH	1	1
	56	2A726140	RIGHT COVER,SWITCH DETACHING	1	1
●	57	34027190	SWITCH,INTERLOCK	1	1
	58	2AZ26160	ARM,DETACHING WIRE	2	2
	59	M2108120	SPACER,KGLS-4S	3	3
	60	2A727100	WIRE,MAIN HIGH VOLTAGE	1	1
	61	2BA27201	RIGHT WIRE,MAIN	1	1
	62	2BA27211	LEFT WIRE,MAIN	1	1
	63	2A727130	WIRE,PRIMARY	1	1
	64	35527260	SHIELD 10X13X20,GASKET		3
	65	36527090	SHIELD 60,GASKET		1
●	66	2A704550	COVER,MAIN SWITCH	1	1
●	67	2A727010	TRANSFORMER,MAIN HIGH VOLTAGE	1	1
	68	71802210	PIN,DRUM LIFT	1	1
	69	2A727430	JUNCTION WIRING,MAIN TRANSFORMER	1	1
	70	M1203220	OPEN BUSHING,OCB-625	1	1
	71	M2104260	EDGING,EDS-0607U(KITAGAWA)	7	7
	72	M2104280	EDGING,EDS-25L(KITAGAWA)	2	2
	73	M2109230	WIRE SADDLE,LWS-3S(KITAGAWA)	2	2
	74	M2505140	CLAMP,GNK-6N(NIKKO)	2	2
●	75	M1654020	FUSE,237004(LITTEL FUSE)	1	
●	75	M1654030	FUSE,218004(LITTLE-FUSE)		1

- Parts with "●" are component parts or sub-assemblies of the assembly appearing immediately above them.
- Parts with "●●" indicates the spare parts.

- Parts with "●●" are component parts or sub-assembly with "●" appearing immediately above them.

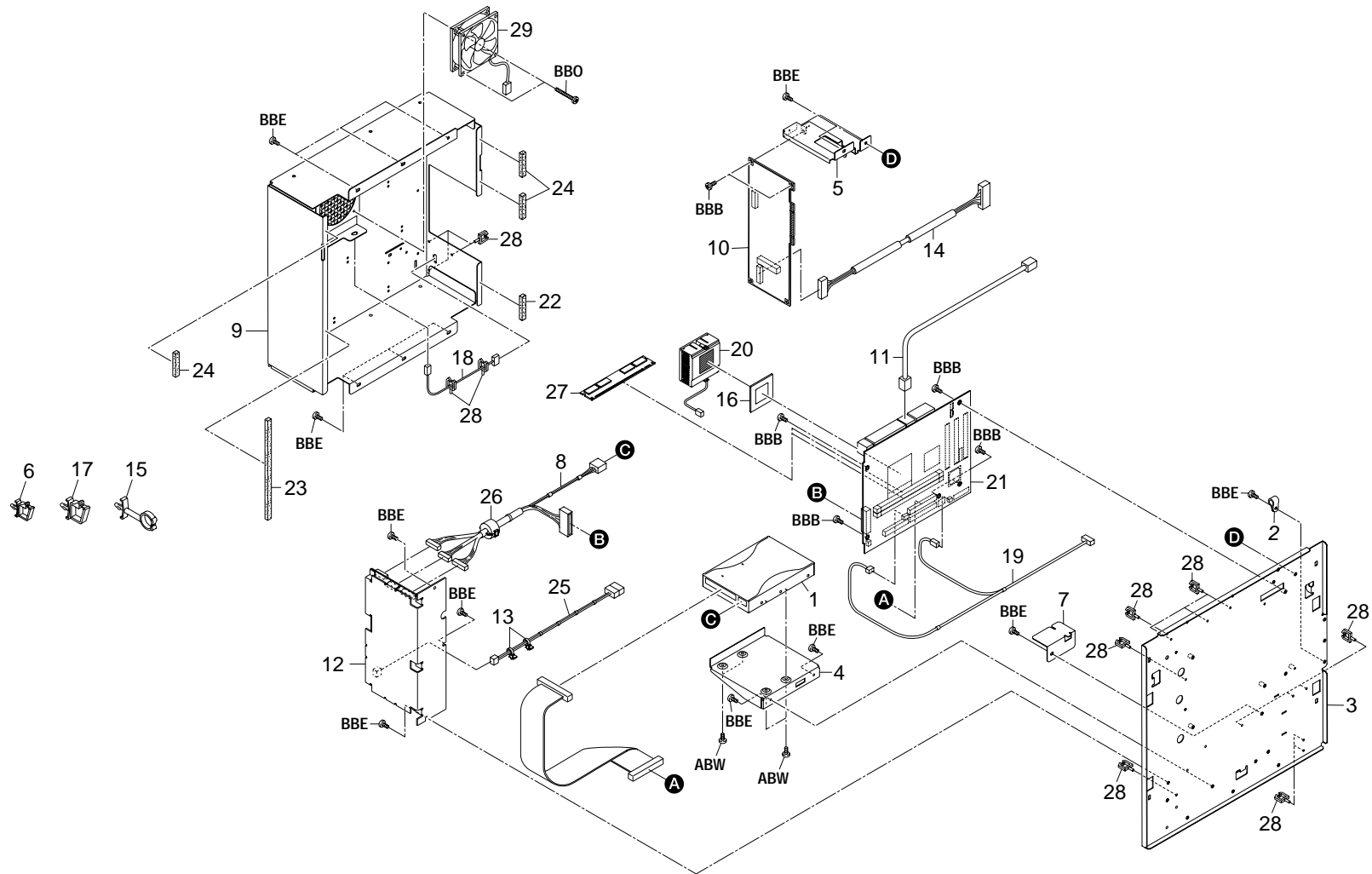


FIG. 20 ELECTRICAL COMPONENTS II (120V)

2BA-1/2BB-1

SP	Ref. No.	Part. No.	Description	Quantity	
				120V	230V
●	1	3BT01120	HDD UNIT ASS'Y(A0)	1	
	2	M2505190	CLAMP,GNK-4N(NIKKO)	1	
	3	3BT02111	BASE,CONTROLLER(A 0)	1	
	4	3BT02130	MOUNT,HDD(A 0)	1	
	5	3BT02140	MOUNT,INTERFACE PCB(A 0)	1	
	6	M2109180	WIRE SADDLE,LWS-1S	3	
	7	3BT02170	SUPPORT PLATE,INTERFACE PCB(A 0)	1	
	8	2BA27150	WIRE,POWER SOURCE SECONDARY	1	
	9	3BT04110	COVER,CONTROLLER(A 0)	1	
●	10	3BT01111	INTERFACE PCB ASS'Y(A0)	1	
	11	3BT27040	JUNCTION WIRING,NETWORK CABLE	1	
●	12	2BA01070	POWER SOURCE ASS'Y(100)	1	
	13	M2107120	BINDING BAND SG-130	2	
●	14	3BT27220	WIRE A,INTERFACE(A0)	1	
	15	M2109190	WIRE SADDLE,HL-38-0	3	
●	16	3BT27260	IC,CPU(A0) (KM-P4845w)	1	
	16	3BT27310	IC,CPU2(A0) (KM-P4850w)	1	
●	17	M2109200	LOCKING WIRE SADDLE,LWS-3S-2W	2	
	18	3BT27280	JUNCTION WIRING,COOLING FAN(A0)	1	
●	19	3BT27291	JUNCTION WIRING,MOTHER BOARD(A0)	1	
	20	3BT27300	FAN,COOLING(A0)	1	
●	21	3BT28120	MOTHER BOARD PCB(A0)	1	
	22	18526390	SHIELD,GASKET REAR COVER UPPER	1	
●	23	18526400	SHIELD,GASKET REAR COVER UNDER	1	
	24	2AC12620	MIDDLE SHIELD,GASKET CCD	3	
●	25	2BA27160	WIRE,POWER SOURCE PRIMARY	1	
	26	2A027770	CORE 15-25X12(R)	1	
●	27	3CV27010	IC,DIMM MEMORY(HT) (KM-P4845w)	1	
	27	3CV27010	IC,DIMM MEMORY(HT) (KM-P4850w)	2	
●	28	M2105730	MINIATURE CLAMP,UAMS-07-0	16	
	29	61727450	FAN,COOLING	1	

- Parts with "●" are component parts or sub-assemblies of the assembly appearing immediately above them.
- Parts with "●" indicates the spare parts.

- Parts with "●●" are component parts or sub-assembly with "●" appearing immediately above them.

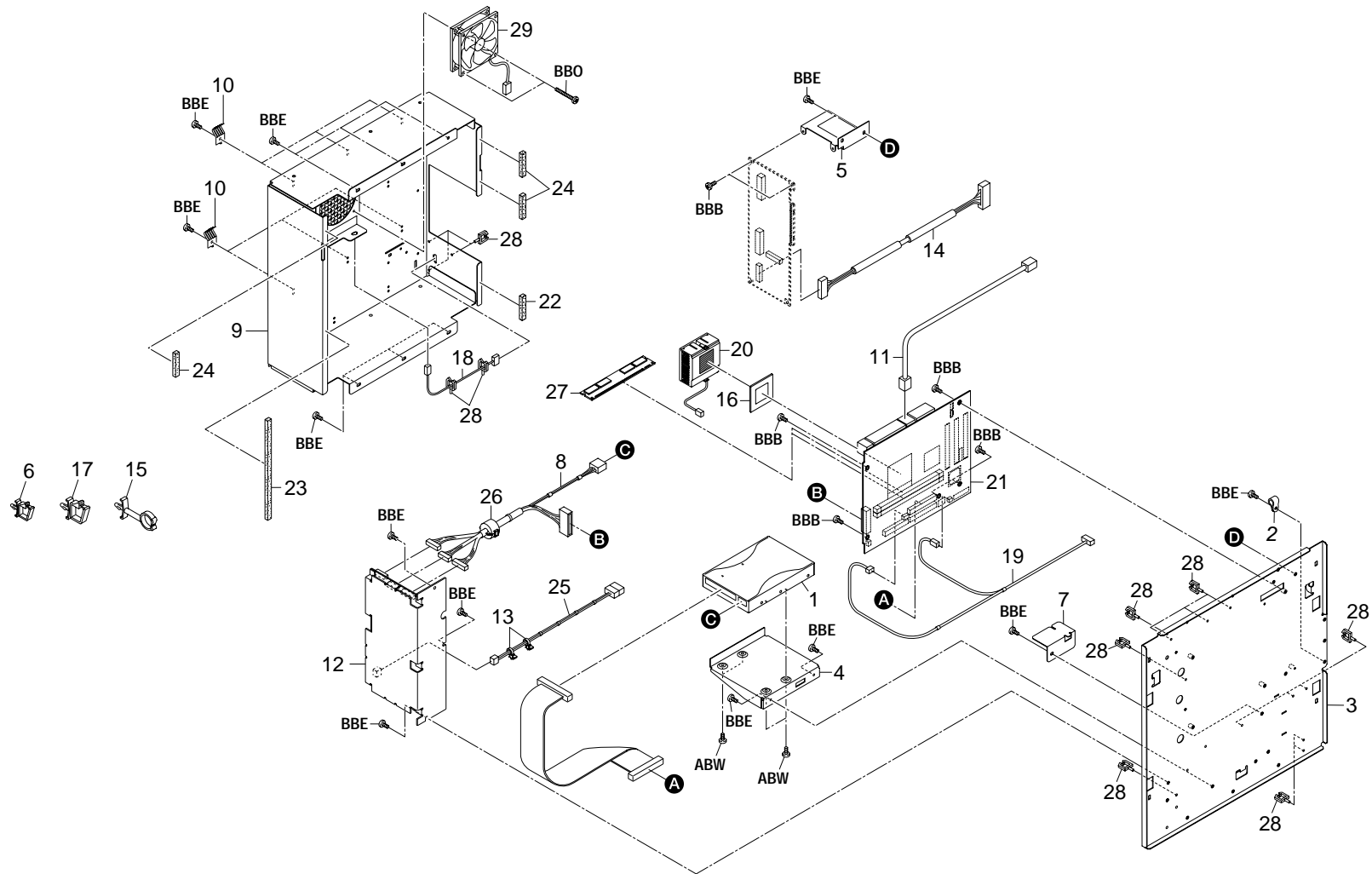


FIG. 20 ELECTRICAL COMPONENTS II (230V)

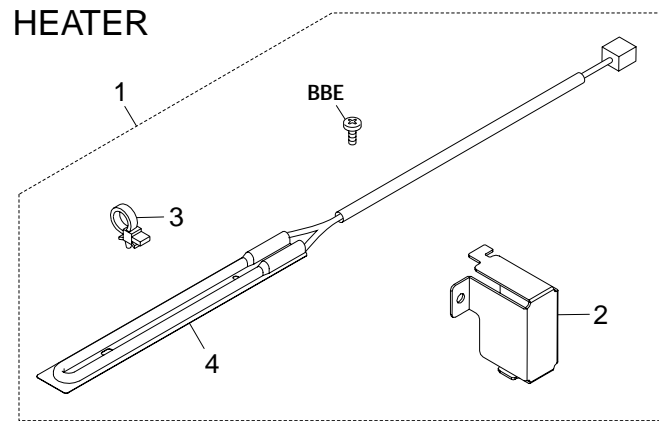
2BA-1/2BB-1

SP	Ref. No.	Part. No.	Description	Quantity	
				120V	230V
●	1	3CJ01010	HDD UNIT ASS'Y		1
	2	M2505190	CLAMP,GNK-4N(NIKKO)		1
	3	3BT02111	BASE,CONTROLLER(A 0)		1
	4	3BT02130	MOUNT,HDD(A 0)		1
	5	3CJ02010	MOUNT,INTERFACE PCB(A 0)		1
	6	M2109180	WIRE SADDLE,LWS-1S		3
	7	3BT02170	SUPPORT PLATE,INTERFACE PCB(A 0)		1
	8	2BA27150	WIRE,POWER SOURCE SECONDARY		1
	9	3BT04110	COVER,CONTROLLER(A 0)		1
	10	2AR26360	GROUND PLATE,SCANNER UNIT		6
	11	3BT27040	JUNCTION WIRING,NETWORK CABLE		1
●	12	3CJ01020	POWER SOURCE ASS'Y(200)		1
	13	M2107120	BINDING BAND SG-130		2
●	14	3BT27220	WIRE A,INTERFACE(A0)		1
	15	M2109190	WIRE SADDLE,HL-38-0		3
●	16	3BT27260	IC,CPU(A0) (KM-P4845w)		1
	16	3BT27310	IC,CPU2(A0) (KM-P4850w)		1
●	17	M2109200	LOCKING WIRE SADDLE,LWS-3S-2W		2
	18	3BT27280	JUNCTION WIRING,COOLING FAN(A0)		1
●	19	3BT27291	JUNCTION WIRING,MOTHER BOARD(A0)		1
	20	3BT27300	FAN,COOLING(A0)		1
●	21	3BT28120	MOTHER BOARD PCB(A0)		1
	22	18526390	SHIELD,GASKET REAR COVER UPPER		1
●	23	18526400	SHIELD,GASKET REAR COVER UNDER		1
	24	2AC12620	MIDDLE SHIELD,GASKET CCD		3
●	25	2BA27160	WIRE,POWER SOURCE PRIMARY		1
	26	2A027770	CORE 15-25X12(R)		1
●	27	3CV27010	IC,DIMM MEMORY(HT) (KM-P4845w)		1
	27	3CV27010	IC,DIMM MEMORY(HT) (KM-P4850w)		2
●	28	M2105730	MINIATURE CLAMP,UAMS-07-0		16
	29	61727450	FAN,COOLING		1

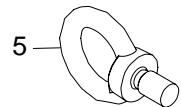
- Parts with "●" are component parts or sub-assemblies of the assembly appearing immediately above them.
- Parts with "●" indicates the spare parts.

- Parts with "●●" are component parts or sub-assembly with "●" appearing immediately above them.

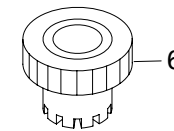
SERVICE PARTS



BOLT, MACHINE



TOOL



ACCESSORRY

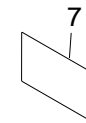


FIG. 21 ACCESSORY & TOOL

2BA/2BB

SP	Ref. No.	Part. No.	Description	Quantity	
				120V	230V
●	1	2A769700	SET,HEATER DEHUMIDIFIER 240(2A7)		1
	2	•2A706360	COVER,HEATER CONNECTOR		1
	3	•M2107120	BINDING BAND SG-130		2
●	4	•2A727490	HEATER,DEHUMIDIFIER(240)		1
	5	67868010	BOLT,MACHINE	4	4
	6	2AZ68100	HANDLE,DEVELOPING DRIVE	1	1
	7	3AT05070	LABEL,STOPPER	2	2

- Parts with "•" are component parts or sub-assemblies of the assembly appearing immediately above them.
- Parts with "●" indicates the spare parts.

- Parts with "••" are component parts or sub-assembly with "•" appearing immediately above them.

INDEX

2BA-1/2BB-1

SP	Part. No.	Description	Quantity		Fig. No.
			120V	230V	
●	18307530	SPRING,HOOK PAPER FEED	1	1	17
●	18514340	THERMISTOR,DEVELOPING	1	1	10
●	18522230	PULLEY 25/45,IDLE	1	1	16
●	18522240	PULLEY 30/38	2	2	4
	18522331	RETAINER,FLYWHEEL	1	1	17
	18526390	SHIELD,GASKET REAR COVER UPPER	1	1	20
	18526400	SHIELD,GASKET REAR COVER UNDER	1	1	20
	19126010	GROUND PLATE,MAGNET CATCH	2	2	4
	2AC12620	MIDDLE SHIELD,GASKET CCD	4	4	15,20
●	2AC22450	GEAR 47,FEED	1	1	16
●	2AC22460	GEAR 40,FEED	1	1	16
●	2AC22500	MOTOR,MAIN	1	1	16
●	2AC22520	MOTOR,PAPER FEED	1	1	18
●	2AC22630	GEAR 31,RESISTRATION	2	2	10,14
	2AG05190	LABEL,PINCH CAUTION	1	1	12
	2AG05200	LABEL,HIGH VOLTAGE CAUTION(EXP)	5	5	3,12,15
●	2AG18050	GEAR 25,CLEANING DRIVE	2	2	5
●	2AR22080	GEAR 82/35	1	1	16
	2AR26360	GROUND PLATE,SCANNER UNIT	14	20	1,3,19,20
	2AR27800	POWER CORD(230)		1	19
●	2AZ00341	DISPOSAL TANK DETECTION ASS'Y	1	1	13
	2AZ04290	SHAFT,HINGE	4	4	2
	2AZ04370	HANDLE,DISPOSAL TANK COVER	1	1	13
●	2AZ06380	PULLEY,ROLL REGISTRATION	10	10	3,4
●	2AZ08100	SEAL,DRUM HOLDER	1	1	7
●	2AZ10110	LAMP,CLEANING	3	3	7
●	2AZ12050	PIN A,ADJUSTMENT	2	2	7
●	2AZ13070	LOWER BUSHING, ORIGINAL FEED ROLLER	5	5	4,6
●	2AZ13190	COLLAR,ORIGINAL LOOP	2	2	1
●	2AZ14120	GEAR,DEVELOPING ROLLER	1	1	10
●	2AZ14130	GEAR,DEVELOPING PADDLE	1	1	10
	2AZ14140	MOUNT,TONER CONTROL SENSOR	1	1	10
●	2AZ14180	UPPER FRONT SPONGE,DEVELOPING	2	2	10
●	2AZ14191	SPONGE,DOCTOR BLADE	2	2	10
	2AZ14200	TERMINAL,DEVELOPING BIAS	1	1	10
	2AZ14240	GUIDE,DEVELOPING	2	2	3
●	2AZ15010	ROLLER,TONER SUPPLY	2	2	11
	2AZ15060	INNER SUPPORT PLATE,HOPPER	1	1	11
	2AZ15070	JOINT,HOPPER	1	1	11
	2AZ15080	AGITATION BAR,HOPPER	1	1	11

SP	Part. No.	Description	Quantity		Fig. No.
			120V	230V	
●	2AZ15110	FILM,TONER SUPPLY	2	2	11
●	2AZ15120	FILM,HOPPER	2	2	11
●	2AZ15130	INNER FILM,AGITATION	8	8	11
●	2AZ15140	FILM,AGITATION LEFT RIGHT	2	2	11
●	2AZ15150	FILM,HOPPER STAY	1	1	11
●	2AZ15160	UPPER SPONGE,HOPPER	2	2	11
●	2AZ15170	LEFT RIGHT SPONGE,HOPPER	2	2	11
●	2AZ15190	LOWER SPONGE,HOPPER	2	2	11
●	2AZ15200	SPONGE,HOPPER SUPPORT PLATE	1	1	11
	2AZ15210	GEAR 20,TONER MOTOR	1	1	11
	2AZ16130	ELECTRODE, TERMINAL BASE TC	1	1	15
	2AZ16141	ELECTRODE, TERMINAL BASE AC	1	1	15
	2AZ16150	TERMINAL BASE,TRANSFER	1	1	15
	2AZ16171	LEFT HOUSING,TRANSFER	1	1	8
	2AZ16190	ELECTRODE,TRANSFER	2	2	8
	2AZ17091	HANDLE,DETACHING	2	2	15
	2AZ17120	RETAINER,FILTER	1	1	18
	2AZ18160	CAP,NOZZLE	1	1	12
	2AZ18170	DUCT,DISPOSAL TONER	1	1	13
	2AZ18220	MOUNT,OVERFLOW	1	1	13
	2AZ18230	DETECTION PLATE,DISPOSAL TANK	1	1	13
	2AZ18330	PIPE,TONER DISPOSAL	1	1	13
●	2AZ18360	SEAL,TONER DISPOSAL	1	1	13
	2AZ18370	SHIELD,TUBE	2	2	13
●	2AZ18390	SEAL,CLEANING DUCT	1	1	13
●	2AZ20200	RIGHT SPRING,HOOK FIXING	1	1	15
	2AZ20210	LEFT SPRING,HOOK FIXING	1	1	15
	2AZ20240	ADJUSTING PLATE,GUIDE ADMISSION	1	1	15
	2AZ20370	FRONT GUIDE,FIXING	6	6	14
	2AZ20390	SHAFT,SEPARATION CLAW FIXING	10	10	14
	2AZ20400	PROJECTION,GUIDE ADMISSION	2	2	14
●	2AZ20430	SEPARATION CLAW,HEAT ROLLER	21	21	14
●	2AZ20441	HANDLE,EJECT	2	2	6
●	2AZ20490	MOUNT B,PULLEY ADMISSION	10	10	14
	2AZ22150	HOLDER,DRUM JOINT	1	1	17
	2AZ22170	POSITIONING PLATE,DRUM RELEASE	1	1	17
●	2AZ22210	GEAR 40,DRUM DRIVE	2	2	17,18
	2AZ22220	GEAR 40,DRUM MOTOR	1	1	17
	2AZ22240	PULLEY 17,DRUM DRIVE	1	1	17
●	2AZ22250	PULLEY 40,DRUM DRIVE	1	1	17

• Parts with "●" indicates the spare parts.

2BA-1/2BB-1

SP	Part. No.	Description	Quantity		Fig. No.
			120V	230V	
	2AZ22270	PULLEY 30,DEVELOPING DRIVE	1	1	17
	2AZ22280	TENSION PLATE,DEVELOPING DRIVE	1	1	17
	2AZ22300	COUPLER,DRUM DRIVE	1	1	17
	2AZ22310	JUNCTION PLATE,DRUM COUPLER	1	1	17
	2AZ22320	COUPLER,DRUM FLANGE	1	1	17
●	2AZ22330	PULLEY 32,IDLE	2	2	17
●	2AZ22340	GEAR 25,DEVELOPING DRIVE	1	1	17
●	2AZ22400	GEAR 20,EJECT IDLE	1	1	18
●	2AZ22410	GEAR 20,IDLE	2	2	14
●	2AZ22420	GEAR 24,IDLE	1	1	14
●	2AZ22430	GEAR 42,HEAT ROLLER	1	1	14
●	2AZ22450	GEAR 17,EJECT ROLLER	1	1	6
	2AZ22460	JOINT,FIXING DRIVE	1	1	18
	2AZ22470	SHAFT,FIXING JOINT	1	1	18
●	2AZ22480	BUSHING 8-16,PAPER FEED	12	12	4,5,16
●	2AZ22490	GEAR 32,TRANSFER DRIVE	1	1	16
	2AZ26062	MOUNT,POWER CORD	1		19
	2AZ26160	ARM,DETACHING WIRE	2	2	19
●	2AZ27030	MOTOR,DRUM	1	1	17
●	2AZ27060	CLUTCH,PAPER FEED	8	8	4,16
●	2AZ27070	COUNTER,TOTAL	2	2	19
	2AZ27280	JUNCTION WIRING,MAIN SWITCH	1	1	19
	2AZ27290	JUNCTION WIRING,MAIN SWITCH MOUNT	1	1	19
●	2AZ68091	LEFT TRANSFER HOUSING ASS'Y(S P)	1	1	8
	2AZ68100	HANDLE,DEVELOPING DRIVE	1	1	21
	2A027760	CORE 11-23X14(R)		2	1,19
	2A027770	CORE 15-25X12(R)	1	3	9,20
●	2A700270	RIGHT DRUM HOLDER ASS'Y	1	1	7
●	2A700280	LEFT DRUM HOLDER ASS'Y	1	1	7
●	2A700391	HOPPER ASS'Y	1	1	11
●	2A700820	RIGHT BYPASS CURSOR ASS'Y	1	1	4
●	2A700830	LEFT BYPASS CURSOR ASS'Y	1	1	4
●	2A701021	LPH MAIN PCB ASS'Y	1	1	9
●	2A701162	POWER SOURCE ASS'Y(100)	1		19
●	2A701173	POWER SOURCE ASS'Y(200)		1	19
	2A702011	RIGHT FRAME,MACHINE	1	1	3
	2A702022	LEFT FRAME,MACHINE	1	1	3
	2A702030	LOWER PARTITION,DEVELOPING	1	1	4
	2A702040	BASE,MACHINE	1	1	3
	2A702050	MOUNT,HANDLE	4	4	3

SP	Part. No.	Description	Quantity		Fig. No.
			120V	230V	
	2A702060	MOUNT,CASTER	2	2	3
	2A702072	SUPPORT PLATE,MACHINE	2	2	3
	2A702080	FRONT MOUNT,COVER SWITCH	1	1	4
	2A702091	PARTITION,DISPOSAL TANK	1	1	1
	2A702110	HINGE,MACHINE	4	4	2
	2A702120	UPPER RIGHT FRONT HINGE,COVER	1	1	2
	2A702130	LOWER RIGHT FRONT HINGE,COVER	1	1	2
	2A702140	UPPER LEFT FRONT HINGE,COVER	1	1	2
	2A702150	LOWER LEFT FRONT HINGE,COVER	1	1	2
●	2A702160	HOLDER,STOPPER COVER	2	2	4
●	2A702180	FULCRUM PLATE,STOPPER COVER	2	2	2
	2A702190	CASTER,MACHINE	4	4	3
●	2A704030	COVER,DISPOSAL TANK	1	1	13
●	2A704050	REAR LEFT COVER	1	1	1
●	2A704060	RIGHT COVER,MIDDLE	1	1	1
●	2A704070	REAR RIGHT COVER	1	1	1
	2A704080	INNER RIGHT COVER	1	1	1
●	2A704130	UPPER REAR COVER	1	1	1
●	2A704140	LID,TONER SUPPLY	1	1	1
●	2A704151	UPPER RIGHT COVER	1	1	1
●	2A704160	UPPER LEFT COVER	1	1	1
	2A704171	UPPER RIGHT MOUNT,COVER	1	1	1
	2A704181	UPPER LEFT MOUNT,COVER	1	1	1
●	2A704282	LOWER REAR COVER	1	1	1
●	2A704310	UPPER FRONT COVER	2	2	2
●	2A704321	INNER FRONT COVER	2	2	2
●	2A704331	OUTER FRONT COVER	2	2	2
	2A704341	UPPER FRONT REINFORCEMENT,COVER	2	2	2
	2A704351	LOWER FRONT REINFORCEMENT,COVER	2	2	2
	2A704361	INNER FRONT REINFORCEMENT,COVER	2	2	2
	2A704371	OUTER FRONT REINFORCEMENT,COVER	4	4	2
●	2A704380	LEFT COVER,DETACHING	1	1	14
●	2A704390	RIGHT COVER,DETACHING	1	1	14
●	2A704400	UPPER LEFT COVER,DETACHING	1	1	14
●	2A704410	UPPER RIGHT COVER,DETACHING	1	1	14
●	2A704420	LOWER COVER,DETACHING	1	1	15
●	2A704430	LOWER LEFT COVER,DETACHING	1	1	15
●	2A704440	LOWER RIGHT COVER,DETACHING	1	1	15
●	2A704460	LOWER COVER,EJECT	1	1	6
●	2A704470	RIGHT COVER,EJECT	1	1	6

• Parts with "●" indicates the spare parts.

SP	Part. No.	Description	Quantity		Fig. No.	SP	Part. No.	Description	Quantity		Fig. No.
			120V	230V					120V	230V	
●	2A704480	LEFT COVER,EJECT	1	1	6	●	2A706351	SPRING,BYPASS ROLLER	2	2	15
●	2A704510	COVER,SIDE	2	2	1		2A706360	COVER,HEATER CONNECTOR	2	1	3,21
●	2A704520	RIGHT COVER,SIDE	1	1	1		2A706380	STOPPER,BYPASS ROLLER	2	2	15
●	2A704530	LEFT COVER,SIDE	1	1	1	●	2A706390	TABLE,BYPASS(INCH)	1		4
	2A704540	JUNCTION PLATE,SIDE COVER	4	4	1		2A706410	RIGHT CURSOR,BYPASS	1	1	4
●	2A704550	COVER,MAIN SWITCH	1	1	19		2A706420	LEFT CURSOR,BYPASS	1	1	4
	2A704560	UPPER REAR COVER,WIRE	1	1	1		2A706430	SEAL,BYPASS CURSOR	2	2	4
	2A704570	LID,HANDLE	2	2	2		2A706440	MAGNET,BYPASS CURSOR	2	2	4
	2A704580	PROJECTION,COVER DETACHING	2	2	1		2A706450	LEFT MOUNT,CUTTER INSERTION PULLEY	1	1	3
●	2A705070	LABEL,DEHUMIDIFIER HEATER	1	1	2		2A706460	SPRING,PRESSING	12	12	3,4
	2A705112	LABEL,EJECT JAM	1	1	6		2A706470	REAR GUIDE,ROLL CONVEYING(INCH)	1		3
	2A705130	LABEL B,ROLL STEP	1	1	5		2A706480	FRONT GUIDE,ROLL CONVEYING(INCH)	2		3
●	2A705140	LABEL,STOPPER POSITION(METRIC)		2	2		2A706500	MOUNT,PAPER SIZE(INCH)	1		4
●	2A705150	LABEL,STOPPER POSITION(INCH)	2		2		2A706510	FRONT FILM,ROLL CONVEYING	1		3
	2A705160	LABEL,ROLL OPERATION	1	1	5		2A707010	BASE,ROLL		2	5
●	2A706010	ROLLER,BYPASS	1	1	4		2A707020	RIGHT FRAME,ROLL	2	2	5
●	2A706020	ROLLER,BYPASS FEED	1	1	4		2A707030	LEFT FRAME,ROLL	2	2	5
	2A706030	UPPER GUIDE,BYPASS	1	1	15		2A707050	RIGHT FRAME,ROLL GUIDE	2	2	5
	2A706050	LOWER GUIDE,BYPASS	1	1	4		2A707060	LEFT FRAME,ROLL GUIDE	2	2	5
	2A706062	STAY,BYPASS	1	1	4		2A707070	RIGHT SUPPORT PLATE,CURSOR	2	2	5
●	2A706070	TABLE,BYPASS(METRIC)		1	4		2A707080	LEFT SUPPORT PLATE,CURSOR	2	2	5
●	2A706080	UPPER ROLLER,BYPASS	1	1	15		2A707090	SUPPORT BAR,SIDE GUIDE	4	4	5
●	2A706101	CUTTER A0	1	1	4		2A707100	UPPER REINFORCEMENT,PAPER FEED		2	5
●	2A706111	ROLLER,REGISTRATION	1	1	4		2A707121	FLANGE A,ROLL	4	4	5
●	2A706130	REAR ROLLER,CUTTER INSERTION	1	1	4		2A707131	FLANGE B,ROLL	4	4	5
	2A706140	GUIDE,REGISTRATION	1	1	4		2A707160	SLIDER,ROLL	4	4	5
	2A706150	REAR GUIDE,REGISTRATION	1	1	4	●	2A707180	LOWER ROLLER,ROLL PAPER FEED	2	2	5
	2A706160	REAR STAY,ROLL REGISTRATION	1	1	4	●	2A707190	GEAR 40,ROLL DRIVE	2	2	16
	2A706180	REAR GUIDE,ROLL CONVEYING		1	3	●	2A707200	GEAR 26,ROLL DRIVE	4	4	5
	2A706191	FRONT GUIDE,ROLL CONVEYING		2	3	●	2A707210	UPPER ROLLER,ROLL PAPER FEED	2	2	5
	2A706200	MOUNT,EJECT PULLEY	8	8	4		2A707220	FLANGE C,ROLL	4	4	5
	2A706210	MOUNT,PAPER SWITCH	2	2	3		2A707260	HOLDER,ROLL FRAME	6	6	3
	2A706231	FRONT GUIDE,CUTTER INSERTION	1	1	3		2A707270	SHAFT,ROLL UNIT DRIVE	2	2	5
●	2A706240	STOPPER,ROLL REGISTRATION	1	1	4		2A707281	RIGHT HOOK,ROLL	2	2	5
●	2A706250	REAR SEAL,CUTTER EJECT	1	1	4		2A707291	LEFT HOOK,ROLL	2	2	5
	2A706270	MOUNT,CUTTER INSERTION PULLEY	1	1	3		2A707300	SHAFT,ROLL	6	6	5
	2A706280	MOUNT,PAPER SIZE		1	4		2A707310	RIGHT SPRING,HOOK	2	2	5
	2A706290	MOUNT,REGISTRATION SWITCH	1	1	4	●	2A707320	LEFT SPRING,HOOK	2	2	5
	2A706320	SUPPORT PLATE,BYPASS BUSHING	2	2	15	●	2A707330	MOUNT,PHOTO INTERRUPTOR	3	3	5
●	2A706330	BUSHING,BYPASS	2	2	15		2A707360	MOUNT,SLIDER	4	4	5

• Parts with "●" indicates the spare parts.

2BA-1/2BB-1

SP	Part. No.	Description	Quantity		Fig. No.	SP	Part. No.	Description	Quantity		Fig. No.
			120V	230V					120V	230V	
	2A707370	SEAL,ROLL GUIDE	8	8	5		2A712040	PARTITION,LPH	1	1	3
	2A707380	KNOB,ROLL SUPPORT	4	4	5	●	2A712070	PIN 48,ADJUSTMENT(M4)	2	2	7
	2A707400	UPPER GUIDE ROLL PAPER FEED	2	2	5		2A712080	VIBRATION INSULATOR,LPH	2	2	7
	2A707410	MOUNT ROLL	4	4	5		2A712090	RIGHT RETAINER,LPH	1	1	7
	2A707420	FULCRUM PLATE PAPER FEED GUIDE	4	4	5		2A712100	LEFT RETAINER,LPH	1	1	7
	2A707430	POSITIONING PLATE PAPER FEED GUIDE	4	4	5		2A712110	RIGHT GROUND PLATE,LPH	1	1	3
●	2A707440	RIGHT LABEL,ROLL SIZE(METRIC)		2	5		2A712120	LEFT GROUND PLATE,LPH	1	1	3
●	2A707450	LEFT LABEL,ROLL SIZE(METRIC)		2	5		2A712130	GROUND PLATE,LPH	5	5	3
●	2A707460	RIGHT LABEL,ROLL SIZE(INCH)	2		5		2A713340	REAR STAY,SCANNER	1	1	3
●	2A707470	LEFT LABEL,ROLL SIZE(INCH)	2		5		2A713671	FRONT GROUND PLATE,SCANNER	2	2	19
●	2A707510	PULLEY,ROLL UNIT	4	4	5		2A714010	ROLLER S,DEVELOPING	1	1	10
	2A707520	RIGHT COVER,ROLL GUIDE	2	2	5		2A714020	HOUSING,DEVELOPING	1	1	10
	2A707530	LEFT COVER,ROLL GUIDE	2	2	5		2A714030	RIGHT FRAME,DEVELOPING	1	1	10
	2A707540	RIGHT POSITIONING PLATE,ROLL SUPPORT	2	2	5		2A714040	LEFT FRAME,DEVELOPING	1	1	10
	2A707550	LEFT POSITIONING PLATE,ROLL SUPPORT	2	2	5		2A714050	STAY,DEVELOPING	1	1	10
	2A707560	RAIL,ROLL CURSOR	4	4	5		2A714060	DOCTOR BLADE,DEVELOPING	1	1	10
	2A707570	STOPPER,ROLL SUPPORT	4		5		2A714070	PARTITION,DEVELOPING	1	1	10
	2A707580	INNER RIGHT COVER,ROLL GUIDE	2	2	5		2A714080	SHAFT,DEVELOPING PADDLE	1	1	10
	2A707590	INNER LEFT COVER,ROLL GUIDE	2	2	5		2A714090	PADDLE,DEVELOPING	15	15	10
●	2A707600	SPACER,CURSOR	4	4	5		2A714100	SPIRAL,DEVELOPING	1	1	10
●	2A707610	SPRING,CURSOR	8	8	5		2A714120	RIGHT LID,DEVELOPING	1	1	10
	2A707630	RAIL,ROLL CURSOR(INCH)	4		5		2A714130	LEFT LID,DEVELOPING	1	1	10
●	2A707640	HANDLE,ROLL FRANGE	1	1	5	●	2A714160	FILM,TONER RECEIVING	1	1	10
	2A707650	HOLDER,ROLL CURSOR	4	4	5	●	2A714170	SPONGE,DEVELOPING STAY	2	2	10
	2A707660	FILM,FLANGE	12	12	5	●	2A714180	UPPER SPONGE,DEVELOPING LID	2	2	10
	2A707670	BASE ROLL,(INCH)	2		5	●	2A714210	RIGHT FILM,DEVELOPING	1	1	10
	2A707680	UPPER REINFORCEMENT,PAPER FEED,INCH	2		5	●	2A714220	LEFT FILM,DEVELOPING	1	1	10
	2A708020	RIGHT HOLDER,DRUM	1	1	7	●	2A714230	SEAL,DEVELOPING LEFT RIGHT	2	2	10
	2A708030	LEFT HOLDER,DRUM	1	1	7	●	2A714240	FILM,DEVELOPING PARTITION	2	2	4
	2A708040	STOPPER,DRUM	2	2	7	●	2A714250	BEARING,DEVELOPING	1	1	10
	2A708060	GROUND PLATE,DRUM	1	1	7	●	2A715020	RIGHT FRAME,HOPPER	1	1	11
	2A708070	MOUNT,DRUM HEATER	1	1	4		2A715030	LEFT FRAME,HOPPER	1	1	11
	2A708080	STOPPER,DRUM GROUND	1	1	7		2A715040	FRONT STAY,HOPPER	1	1	11
●	2A708090	GROUND PLATE,DRUM	1	1	7		2A715050	REAR STAY,HOPPER	1	1	11
	2A710010	SHIELD,MAIN	1	1	7		2A715090	LOWER LID,HOPPER	1	1	11
	2A710020	COUPLER,SHIELD MAIN	2	2	7		2A715100	UPPER LID,HOPPER	1	1	11
	2A710030	SHIELD,GRID	1	1	7		2A715110	SHUTTER F,HOPPER(USA)	1		11
●	2A710040	FILM,CLEANING LAMP	1	1	7		2A715120	UPPER MOUNT BASE F,HOPPER(USA)	1		11
	2A712020	RIGHT ADJUSTING PLATE,LPH	1	1	7		2A715130	SHUTTER C,HOPPER(JPN)		1	11
	2A712030	LEFT ADJUSTING PLATE,LPH	1	1	7	●	2A715150	REAR SPONGE,HOPPER	2	2	11

• Parts with "●" indicates the spare parts.

SP	Part. No.	Description	Quantity		Fig. No.	SP	Part. No.	Description	Quantity		Fig. No.
			120V	230V					120V	230V	
●	2A716040	SPRING,TRANSFER GUIDE	2	2	4	●	2A718151	LEFT SEAL,CLEANING	1	1	12
●	2A716050	UPPER FRONT FILM,TRANSFER	1	1	4		2A718170	RIGHT FULCRUM PLATE,BLADE	1	1	12
	2A716060	OUTER FRONT GUIDE,TRANSFER	1	1	4		2A718180	LEFT FULCRUM PLATE,BLADE	1	1	12
●	2A716081	FRONT ROLLER,TRANSFER	1	1	15		2A718190	RETAINER,DUCT	1	1	13
	2A716100	OUTER SHIELD,TRANSFER	1	1	8		2A718230	TANK,TONER DISPOSAL	1	1	13
	2A716110	INNER FRONT GUIDE,TRANSFER	1	1	4		2A718260	FULCRUM PLATE,DISPOSAL TANK	1	1	13
●	2A716140	FRONT PULLEY,TRANSFER	1	1	4		2A718320	MOUNT,FUR BRUSH	1	1	12
	2A716150	FRONT MOUNT,TRANSFER PULLEY	2	2	4		2A718330	RIGHT FULCRUM PLATE,CLEANING RETAINING	1	1	12
	2A716171	DUCT,TRANSFER	1	1	18		2A718340	LEFT FULCRUM PLATE,CLEANING RETAINING	1	1	12
	2A716200	COVER,TRANSFER HIGH VOLTAGE	1	1	15		2A718350	MOUNT,FULCRUM PIN	2	2	12
●	2A716220	STRING,TRANSFER CHARGER	1	1	8		2A718360	RETAINER,MAIN CHARGER	1	1	12
	2A716230	SEAL,TRANSFER GUIDE	1	1	4		2A718370	JUNCTION PLATE,DUCT	1	1	13
	2A716240	RETAINER,TRANSFER	1	1	15		2A718390	FULCRUM PLATE,COVER DISPOSAL TANK	1	1	13
●	2A716250	SPRING,TRANSFER PULLEY PRESSING	2	2	4		2A718400	COUPLER,TONER DISPOSAL	1	1	13
	2A717012	RIGHT FRAME,DETACHING	1	1	15		2A718410	GROUND PLATE,FUR BRUSH	1	1	12
	2A717022	LEFT FRAME,DETACHING	1	1	15		2A718430	SPRING,DUCT	1	1	13
	2A717030	LEFT MOUNT,SLIDER	1	1	15		2A718440	POSITIONING PLATE,MAIN CHARGER	2	2	12
	2A717040	RIGHT MOUNT,SLIDER	1	1	15	●	2A718450	SHIELD,CLEANING SIDE	2	2	12
	2A717070	PIN,DETACHING(M4)	2	2	15	●	2A718460	RIGHT SHIELD,CLEANING BLADE SIDE	1	1	12
	2A717081	SLIDER,DETACHING	2	2	3	●	2A718470	LEFT SHIELD,CLEANING BLADE SIDE	1	1	12
	2A717091	LEFT LEVER,DETACHING	1	1	15		2A718480	ARM,RELEASE	1	1	13
	2A717101	RIGHT LEVER,DETACHING	1	1	15	●	2A718490	CUSHION,COVER DISPOSAL TANK	1	1	13
	2A717110	RIGHT MOUNT,DETACHING SWITCH	1	1	19		2A718500	SLIDE PLATE,BLADE RELEASE	1	1	12
●	2A717120	GROUND PLATE,DETACHING	3	3	15		2A718520	GUIDE,DISPOSAL TANK	1	1	13
	2A717130	MOUNT,CONVEYING FAN	1	1	15		2A718530	VIBRATION INSULATOR,CLEANING BLADE	2	2	12
	2A717140	GUIDE,CONVEYING	1	1	15		2A718540	FILM,DISPOSAL TANK DETECTION	1	1	13
	2A717150	DUCT,CONVEYING	1	1	15	●	2A718550	LOWER LEFT SHIELD,CLEANING	1	1	12
	2A717160	RIGHT PIN,EJECT	1	1	15	●	2A718560	SHIELD,SPIRAL SIDE	1	1	12
	2A717170	LEFT PIN,EJECT	1	1	15		2A720031	SHAFT,PRESSURE	1	1	15
	2A717180	REINFORCEMENT,FULCRUM PIN	2	2	15		2A720041	LEFT FRAME,FIXING	1	1	14
	2A718010	RIGHT FRAME,CLEANING	1	1	12		2A720052	RIGHT FRAME,FIXING	1	1	14
	2A718020	LEFT FRAME,CLEANING	1	1	12		2A720061	RIGHT LOWER MOUNT,PARTITION FIXING	1	1	15
	2A718030	HOUSING,CLEANING	1	1	12		2A720071	LEFT LOWER MOUNT,PARTITION FIXING	1	1	15
	2A718050	MOUNT,CLEANING BLADE	1	1	12		2A720080	LOWER PARTITION,FIXING	1	1	15
	2A718080	SPIRAL,CLEANING	1	1	12		2A720091	UPPER PARTITION,FIXING	1	1	14
	2A718090	LEVER,SEPARATION SOLENOID	1	1	12		2A720101	COVER,FIXING	1	1	14
	2A718110	NOZZLE,CLEANING	1	1	12		2A720111	LEFT FRAME,EJECT	1	1	6
●	2A718120	SPRING,NOZZLE	1	1	12		2A720121	RIGHT FRAME,EJECT	1	1	6
●	2A718130	SHIELD,HOUSING	1	1	12		2A720130	GUIDE,FIXING INSERTION	1	1	15
●	2A718140	RIGHT SEAL,CLEANING	1	1	12		2A720140	RIGHT MOUNT,HEATER	1	1	14

• Parts with "●" indicates the spare parts.

SP	Part. No.	Description	Quantity		Fig. No.
			120V	230V	
	2A720150	LEFT MOUNT,HEATER	1	1	14
●	2A720160	FRONT REINFORCEMENT,FIXING	1	1	14
	2A720170	ROLLER,EJECT	1	1	6
	2A720181	SUPPORT PLATE,ASS'Y EJECT UNIT	2	2	15
	2A720191	MOUNT,HEAT ROLLER SEPARATION CLAW	1	1	14
	2A720210	UPPER MOUNT,THERMISTOR	2	2	14
	2A720220	UPPER PARTITION,EJECT	1	1	6
	2A720230	RIGHT MOUNT,PRESSURE ROLLER GUIDE	1	1	15
	2A720240	LEFT MOUNT,PRESSURE ROLLER GUIDE	1	1	15
	2A720250	PLATE SPRING,PULLEY EJECT	7	7	6
	2A720261	REINFORCEMENT,EJECT GUIDE	1	1	6
	2A720270	RIGHT LEVER,SHAFT PRESSURE	1	1	15
	2A720280	LEFT LEVER,SHAFT PRESSURE	1	1	15
	2A720291	LOWER GUIDE,EJECT		1	6
	2A720310	LOWER REINFORCEMENT,EJECT	1	1	6
●	2A720330	BUSHING,PRESS ROLLER	2	2	15
	2A720350	MOUNT,PRESSURE ROLLER SEPARATION CLAW	10	10	15
	2A720360	UPPER GUIDE,EJECT	26	26	6
	2A720411	MOUNT,FIXING WIRE	1	1	14
	2A720420	FRONT SPRING,COVER	2	2	14
	2A720431	MOUNT,EJECT SWITCH	1	1	6
	2A720440	GEAR 18,OIL ROLLER	1	1	14
	2A720470	LOWER MOUNT,THERMISTOR		1	15
	2A720480	FRONT GUIDE,FIXING	4	4	14
	2A720490	GUIDE,EJECT	10	10	6
●	2A720501	ACTUATOR,EJECT	1	1	6
	2A720510	COLLAR,PRESS ROLLER	4	4	15
	2A720530	SPRING,FIXING	2	2	15
	2A720540	SHAFT,SEPARATION CLAW FIXING	21	21	14
●	2A720550	SPRING,SEPARATION CLAW	21	21	14
	2A720560	REINFORCEMENT,EJECT PIN	2	2	6
	2A720570	RIGHT MOUNT,SPRING OIL	1	1	14
	2A720580	LEFT MOUNT,SPRING OIL	1	1	14
	2A720590	LOWER GUIDE,EJECT(INCH)	1		6
	2A720600	LOWER MOUNT,THERMISTOR(INCH)	1		15
●	2A721010	RIGHT TRAY	1	1	2
●	2A721020	LEFT TRAY	1	1	2
●	2A721031	MOUNT,TRAY	2	2	2
●	2A721040	STOPPER,TRAY	2	2	2
	2A721050	MOUNT,HINGE TRAY	4	4	2

• Parts with "●" indicates the spare parts.

SP	Part. No.	Description	Quantity		Fig. No.
			120V	230V	
●	2A721060	GUIDE,TRAY	3	3	6
	2A721070	UPPER HINGE,TRAY	4	4	2
	2A721080	LOWER HINGE COPY TRAY	2	2	2
	2A722010	PULLEY 24/37,MAIN	1	1	17
●	2A722020	GEAR 21/72,IDLE	1	1	18
●	2A722030	GEAR 21/63,IDLE	1	1	18
	2A722040	MOUNT,TRANSFER DRIVE	1	1	16
	2A722050	JUNCTION PLATE,TRANSFER DRIVE	1	1	16
	2A722060	SHAFT,TRANSFER DRIVE	1	1	16
	2A722070	SHAFT,ROLL DRIVE	3	3	17
	2A722080	SHAFT,ROLL DRIVE JOINT	3	3	17
	2A722090	JUNCTION PLATE,ROLL DRIVE	3	3	17
	2A722100	MOUNT,ROLL JOINT	3	3	17
	2A722110	MOUNT,ROLL UP DRIVE	2	2	16
	2A722120	RETAINER,ROLL UP DRIVE	2	2	16
	2A722130	MOUNT,FIXING MOTOR	1	1	18
	2A722140	JOINT,CLEANING DRIVE	1	1	17
	2A722150	SHAFT,ROLL UP DRIVE	2	2	16
	2A722160	MOUNT,FIXING JOINT	1	1	18
	2A722170	MOUNT,PAPER FEED MOTOR	1	1	16
	2A722180	MOUNT,IMAGE FORMATION DRIVE	1	1	17
	2A722190	PLATE SPRING,TRANSFER DRIVE	1	1	16
	2A722210	SHAFT,DEVELOPING DRIVE	1	1	17
	2A722220	RETAINER,DEVELOPING DRIVE	1	1	17
	2A722240	RETAINER,DRUM DRIVE	1	1	17
	2A722260	MOUNT,DRUM MOTOR	1	1	17
	2A722270	TENSION PLATE,DEVELOPING DRIVE	1	1	17
	2A722280	SHAFT,DRUM DRIVE	1	1	17
	2A722290	HOLDER,TRANSFER DRIVE	1	1	17
	2A722300	SHAFT,ROLL PI	1	1	16
	2A722310	RETAINER,CLUTCH	4	4	16
	2A722320	TENSION PLATE,PAPER FEED DRIVE	3	3	16
	2A722330	SHAFT,DRUM GEAR	1	1	17
	2A722340	RETAINER,DRUM GEAR	1	1	17
●	2A722350	FLANGE 36,PULLEY	7	7	16
●	2A722370	BELT,DEVELOPING DRIVE	1	1	17
●	2A722380	BELT,PAPER FEED DRIVE	1	1	16
●	2A722390	BELT,DRUM DRIVE	1	1	17
●	2A722400	PULLEY 36/22,CLEANING DRIVE	1	1	17
●	2A722410	BELT,CLEANING DRIVE	2	2	17

SP	Part. No.	Description	Quantity		Fig. No.
			120V	230V	
●	2A722420	BELT,ROLL UP DRIVE	2	2	16
●	2A722430	BELT,HANDLE	1	1	4
●	2A722440	BELT,ROLL UNIT	2	2	5
	2A722450	LID,ROLL UP DRIVE	1	1	3
	2A722460	SHAFT,TRANSFER DRIVE JOINT	1	1	16
	2A722470	UPPER SUPPORT PLATE,DRUM RELEASE	1	1	17
	2A722480	LOWER SUPPORT PLATE,DRUM RELEASE	1	1	17
	2A722490	PULLEY 32/30	7	7	16
	2A723010	LEFT FRAME,COOLING	1	1	18
	2A723020	RIGHT FRAME,COOLING	1	1	18
	2A723030	FRONT PARTITION,COOLING	1	1	18
	2A723040	LOWER PARTITION,COOLING	1	1	14
	2A723050	REAR PARTITION,COOLING	1	1	18
	2A723060	MOUNT,COOLING FAN	1	1	18
●	2A723070	DUCT,COOLING FAN SUB	2	2	14
	2A723080	DUCT,COOLING FAN MAIN	2	2	18
	2A723091	SEAL,COOLING PARTITION ADIABATIC	1	1	14
●	2A723101	SEAL,EJECT PARTITION ADIABATIC	1	1	6
	2A723510	DUCT,COOLING FAN LPH	2	2	1
●	2A723520	SPONGE,DUCT	2	2	1
●	2A723530	FILTER,COOLING FAN	2	2	1
	2A723540	HOLDER,FILTER	2	2	1
	2A726010	MOUNT,MAIN PCB	1	1	19
	2A726031	MOUNT 230,POWER CORD	1	1	19
	2A726070	MOUNT,HDC PCB	1	1	9
	2A726091	COVER,MAIN PCB PCB	1	1	19
	2A726110	MOUNT,MAIN SWITCH	1	1	19
	2A726131	PROTECTING PLATE,MAIN SWITCH	1	1	19
	2A726140	RIGHT COVER,SWITCH DETACHING	1	1	19
	2A726151	LID,CABLE WIRE	1	1	19
	2A726160	MOUNT,GROUND PLATE	1	1	3
	2A726170	GROUND PLATE,MAIN PCB SIDE		2	19
	2A726190	FRONT GROUND PLATE A,COVER	2	2	2
	2A726200	FRONT GROUND PLATE B,COVER	2	2	2
	2A726230	LID,SIGNAL WIRE	1	1	19
	2A726610	LEFT MOUNT,INVERTER PCB	1	1	19
	2A726620	MOUNT,HIGH VOLTAGE PCB	1	1	19
	2A726630	COVER, FIXING MOTOR	1	1	18
	2A726640	LEFT COVER,INTERLOCK SWITCH	1	1	18
	2A726660	LOWER LEFT SHIELD,CIS WIRE	1	1	19

SP	Part. No.	Description	Quantity		Fig. No.
			120V	230V	
	2A726711	PRITION,CIS DATA	1	1	19
	2A726910	MOUNT,SCANNER INTERFACE	1	1	19
	2A726920	UPPER PARTITION,DISPOSAL TANK	1	1	13
●	2A727010	TRANSFORMER,MAIN HIGH VOLTAGE	1	1	19
●	2A727020	TRANSFORMER,TRANSFER SEPARATION	1	1	15
	2A727070	INNER WIRE,LPH	1	1	9
	2A727080	LEFT WIRE,LPH	1	1	9
	2A727090	RIGHT WIRE,LPH	1	1	9
	2A727100	WIRE,MAIN HIGH VOLTAGE	1	1	19
	2A727130	WIRE,PRIMARY	1	1	19
	2A727141	WIRE A,DETACHING	1	1	14
	2A727160	WIRE, FIXING	1	1	14
	2A727170	WIRE, DEVELOPING	1	1	10
	2A727181	WIRE B,DETACHING	1	1	15
	2A727190	WIRE,CHARGE UNIT	1	1	7
	2A727200	JUNCTION WIRING,PAPER FEED SIZE DETECTION (KM-P4850w)	1	1	4
	2A727210	JUNCTION WIRING,DEHUMIDIFIER HEATER	1	1	3
	2A727220	WIRE,COOLING FAN	1	1	1
	2A727230	JUNCTION WIRING, FIXING THERMISTOR	1	1	14
	2A727250	JUNCTION WIRING, FIXING FAN	1	1	18
	2A727260	JUNCTION WIRING,CONVEYING FAN	1	1	15
	2A727280	WIRE,PRIMARY PAPER FEED	2	2	3
	2A727351	JUNCTION WIRING,PRIMARY PAPER FEED	1	1	3
	2A727370	JUNCTION WIRING,LPH	1	1	9
	2A727390	JUNCTION WIRING,POTENTIAL SENSOR	1	1	3
	2A727400	JUNCTION WIRING,EJECT SWITCH	1	1	6
	2A727411	JUNCTION WIRING,PRESS ROLLER THERMISTOR	1	1	15
	2A727430	JUNCTION WIRING,MAIN TRANSFORMER	1	1	19
	2A727440	WIRE,DEVELOPING BIAS	1	1	19
	2A727460	JUNCTION WIRING,FRONT COVER SWITCH	1	1	4
●	2A727480	HEATER,DEHUMIDIFIER(120)	3		3,4
●	2A727490	HEATER,DEHUMIDIFIER(240)		2	4,21
	2A727500	WIRE,LPH DATA	1	1	19
	2A727510	RIGHT WIRE,DOOR SWITCH	1	1	13
●	2A727530	REAR SWITCH, ORIGINAL FEED	7	5	4
	2A727590	SHIELD 7X7X60,GASKET		8	3,18
	2A727600	SHIELD 10X9X25,GASKET	1	1	1
	2A727670	JUNCTION WIRING A, FIXING THERMOSTAT	1	1	14
	2A727680	JUNCTION WIRING B, FIXING THERMOSTAT	1	1	14
	2A727700	JUNCTION WIRING,PAPER FEED SIZE DETECTION(INCH)	1		4

• Parts with "●" indicates the spare parts.

2BA-1/2BB-1

SP	Part. No.	Description	Quantity		Fig. No.
			120V	230V	
●	2A760010	DISPOSAL TANK ASS'Y (6 pieces for a carton)	1	1	13
●	2A768020	WIRE,CHARGER	1	1	7
●	2A768090	AGITATION PLATE FILM ASS'Y(S P)	1	1	10
●	2A769700	SET,HEATER DEHUMIDIFIER 240(2A7)		1	21
●	2A782010	SET,DRUM	1	1	7
●	2A793012	PARTS,ASS'Y ENGINE MAIN PCB(SP)	1	1	19
●	2A793030	PARTS,ASS'Y LPH(SP)	1	1	9
●	2A793050	PARTS,BLADE CLEANING(SP)	1	1	12
●	2A793060	PARTS,FUR BRUSH CLEANING(SP)	1	1	12
●	2A793070	PARTS,LOWER BLADE CLEANING(SP)	1	1	12
●	2A793081	PARTS,ROLLER HEAT(SP)	1	1	14
●	2A793090	PARTS,ROLLER PRESSURE FIXING(SP)	1	1	15
●	2A793101	PARTS,ROLLER FIXING OIL(SP)	1	1	14
●	2A793130	PARTS,HEATER 120A FIXING(SP)	1		14
●	2A793140	PARTS,HEATER 120B FIXING(SP)	1		14
●	2A793150	PARTS,HEATER 240A FIXING(SP)		1	14
●	2A793160	PARTS,HEATER 240B FIXING(SP)		1	14
●	2A793170	PARTS,THERMISTOR FIXING(SP)	3	3	14,15
●	2A793190	PARTS,FRONT NCOVER DEVELOPING(SP)	1	1	10
●	2A793200	PARTS,ASS'Y HOPPER,USA(SP)	1		11
●	2A793221	PARTS,ASS'Y FIXING,SP	1	1	14
●	2A793230	PARTS,ASS'Y DEVELOPING,SP	1	1	10
●	2A793240	PARTS,ASS'Y CLEANING,SP	1	1	12
●	2A793250	PARTS,ASS'Y TRANSFER CHARGER,SP	1	1	8
●	2A793260	PARTS,ASS'Y ROLL FLANGE,SP	4	4	5
●	2A793270	PARTS,ASS'Y MAIN CHARGER,SP	1	1	7
●	2A793280	PARTS,ASS'Y GRID,SP	1	1	7
	2A902020	PROTECTOR,EDGE	5	5	12,13
	2A920050	LOWER GUIDE,EJECT	2		6
●	2A920070	RIGHT SPRING,EJECT HOOK	1	1	6
●	2A920080	LEFT SPRING,EJECT HOOK	1	1	6
	2A920090	FRONT LEVER, FIXING	2	2	6
●	2BA01010	OPERATION UNIT ASS'Y(EXP)	1	1	1
●	2BA01070	POWER SOURCE ASS'Y(100)	1		20
●	2BA04010	UPPER COVER,DETACHING (KM-P4845w)	1	1	18
●	2BA04020	UPPER COVER,MACHINE	1	1	1
●	2BA04030	UPPER LID,COVER	2	2	1
●	2BA04040	UPPER COVER,EJECT	1	1	6
	2BA04060	INNER RIGHT MOUNT COVER	1	1	19
	2BA13011	FRONT STAY,SCANNER	1	1	1

SP	Part. No.	Description	Quantity		Fig. No.
			120V	230V	
●	2BA25010	COVER,OPERATION UNIT	1	1	1
●	2BA25020	SHEET,DUST SHIELD	1	1	1
●	2BA25030	SHEET,OPERATION UNIT(EXP)	1	1	1
●	2BA27110	WIRE,OPERATION UNIT PCB	1	1	1
	2BA27120	JUNCTION WIRING,PAPER FEED SIZE DETECTION (KM-P4845w)	1	1	4
	2BA27150	WIRE,POWER SOURCE SECONDARY	1	1	20
	2BA27160	WIRE,POWER SOURCE PRIMARY	1	1	20
	2BA27201	RIGHT WIRE,MAIN	1	1	19
	2BA27211	LEFT WIRE,MAIN	1	1	19
●	2BB04010	UPPER COVER,DETACHING (KM-P4850w)	1	1	18
●	2BL27450	SWITCH PI	1	1	6
●	20305130	LABEL L,HIGH TEMPERATURE CAUTION(EXP)	3	1	3,6,18
	20327160	SHIELD 10X2X25,GASKET		6	6,15
	20327220	SHIELD 10X5X35,GASKET		1	18
	23227320	WIRE CE,MAIN PCB GROUND		2	3
●	28107400	BEARING,688ZZNR	13	13	17
	28210041	ADJUSTER,CHARGER WIRE	1	1	7
	28216051	FRONT HOUSING,TC	1	1	8
	28216072	LID,TC HOUSING	2	2	8
●	29420691	BUSHING A,OIL ROLLER	2	2	14
●	29705100	CAUTION LABEL,DRUM	1	1	12
●	29717230	BUSHING 6,FEED BACK	5	5	12,16
	29720420	ROD,PRESSING SPRING	2	2	15
●	29807100	GEAR 16,BYPASS	1	1	11
●	29822140	BUSHING,DRUM SHAFT	2	2	11
●	29822350	GEAR 20T,DRIVE	2	2	5
	3AT05070	LABEL,STOPPER	2	2	21
●	3BT01111	INTERFACE PCB ASS'Y(A0)	1		20
●	3BT01120	HDD UNIT ASS'Y(A0)	1		20
	3BT01130	NETWORK JUNCTION PCB ASS'Y(A0)	1	1	19
	3BT02111	BASE,CONTROLLER(A 0)	1	1	20
	3BT02130	MOUNT,HDD(A 0)	1	1	20
	3BT02140	MOUNT,INTERFACE PCB(A 0)	1		20
	3BT02170	SUPPORT PLATE,INTERFACE PCB(A 0)	1	1	20
	3BT04110	COVER,CONTROLLER(A 0)	1	1	20
	3BT27040	JUNCTION WIRING,NETWORK CABLE	1	1	20
	3BT27220	WIRE A,INTERFACE(A0)	1	1	20
●	3BT27260	IC,CPU(A0) (KM-P4845w)	1	1	20
	3BT27280	JUNCTION WIRING,COOLING FAN(A0)	1	1	20
	3BT27291	JUNCTION WIRING,MOTHER BOARD(A0)	1	1	20

• Parts with "●" indicates the spare parts.

SP	Part. No.	Description	Quantity		Fig. No.	SP	Part. No.	Description	Quantity		Fig. No.
			120V	230V					120V	230V	
●	3BT27300	FAN,COOLING(A0)	1	1	20	●	34013120	SPRING,ORIGINAL HOLDER	2	2	1
●	3BT27310	IC,CPU2(A0) (KM-P4850w)	1	1	20		34016091	INNER SHIELD,TRANSFER	1	1	8
●	3BT28120	MOTHER BOARD PCB(A0)	1	1	20		34016110	SHAFT, SEPARATION	1	1	12
●	3CJ01010	HDD UNIT ASS'Y		1	20		34020250	HOLDER,BEARING FIXING	2	2	14
●	3CJ01020	POWER SOURCE ASS'Y(200)		1	20	●	34020260	SPRING,PRESS ROLLER	4	4	15
	3CJ02010	MOUNT,INTERFACE PCB(A 0)		1	20		34022051	FLYWHEEL A	1	1	17
●	3CV27010	IC,DIMM MEMORY(HT) (KM-P4845w)	3	3	20		34022060	FLYWHEEL B	7	7	17
●	33406220	SPACER,SEPARATION	2	2	5	●	34022070	SPRING,FLYWHEEL	1	1	17
	33408341	PIN,DRUM RETAINING	2	2	7	●	34022231	SPRING,TRANSFER DRIVE	1	1	17
	33414080	LEVER,DEVELOPING RETAINING	2	2	3	●	34022240	PULLEY 32,TRANSFER	1	1	17
●	33427020	FIXING MOTOR	1	1	17	●	34022250	GEAR 30,TRANSFER	1	1	17
●	33906630	STOPPER 5,RING	6	6	4,16	●	34023130	FILTER,COOLING	2	2	14
●	33915240	GEAR,CARTRIDGE DRIVE IDLE	1	1	16		34026110	GROUND PLATE B,NOIZE	2	2	3
●	33920810	THERMOSTAT 140,FIXING(B)	1	1	14		34026130	GROUND PLATE D,NOIZE	3	3	19
	33922100	TENSION PLATE,DRUM DRIVE	1	1	17	●	34027070	RELAY 4P,POWER	1	1	19
●	33922280	PULLEY 32/26,IDLE	2	2	16		34027120	MOUNT BASE,POWER RELAY	1	1	19
●	33922330	GEAR 30,IDLE	12	12	15,16,17	●	34027190	SWITCH,INTERLOCK	3	3	4,19
	33927580	CORE 9-20X32		2	9		34027320	WIRE,GRID	1	1	19
●	34000200	TERMINAL BASE CHARGER ASS'Y	1	1	7	●	34051550	POCKET,INSTRUCTION HANDBOOK(RC)	1	1	1
	34010060	TERMINAL BASE,CHARGER	1	1	7		34051680	SHAFT,PULLEY EJECT (RC)	7	7	6
	34010071	LEFT HOUSING,MAIN	1	1	7		34052750	JUNCTION WIRING,MAIN SWITCH (R C)	1	1	19
	34010080	LEFT LID,MAIN	1	1	7	●	34068080	RIGHT MAIN HOUSING ASS'Y	1	1	7
	34010090	RIGHT HOUSING,MAIN	1	1	7	●	34093141	PARTS GRID CHARGE(SP)	1	1	7
	34010101	RIGHT LID,MAIN	1	1	7	●	34093331	PARTS SENSOR SURFACE POTENTIAL(SP)	1	1	3
	34010110	PIN,GRID	1	1	7	●	34093990	SET LEFT MAIN HOUSING	1	1	7
	34010120	GROUND PLATE,GRID	1	1	7	●	34806140	STOPPER 4	16	16	4,12,13,16
	34010150	SPRING,GRID	1	1	7	●	34806480	STOPPER 6	101	101	3,4,5,13
	34010160	ELECTRODE,MAIN	1	1	7						15,16,17,18
	34010170	PIN,MAIN	1	1	7	●	34822100	GEAR 35	1	1	18
	34010181	LEFT HOUSING,GRID	1	1	7	●	34914210	GEAR 17,MAGNET ROLLER	1	1	12
	34010191	RIGHT HOUSING,GRID	1	1	7	●	34914370	REAR BUSHING,SPIRAL	2	2	10
	34010200	ELECTRODE,GRID	1	1	7		34920170	FULCRUM PIN,FIXING	9	9	7,10
	34010210	TERMINAL,MAIN	1	1	7	●	35327400	SWITCH,FEED	6	6	5,16
	34010220	TERMINAL,GRID	1	1	7		35527260	SHIELD 10X13X20,GASKET		3	19
	34010230	SPRING,ELECTRODE GRID	1	1	7	●	35914830	SENSOR,TONER	1	1	10
	34010240	SPRING,ELECTRODE MAIN	1	1	7		36505111	LABEL,TONER DISPOSAL TANK	1	1	13
	34010280	SPACER,GRID	2	2	7	●	36520720	BEARING,PRESS ROLLER	2	2	15
	34010290	GROUND PLATE,MAIN	1	1	7		36527090	SHIELD 60,GASKET	4	5	1,6,9,19
	34010301	MOUNT,POTENTIAL SENSOR	1	1	3		36701160	POWER CORD ASS'Y (120)	1		19
	34013110	PIN,ORIGINAL RETAINING	2	2	1		36701170	POWER INLET ASS'Y		1	19

• Parts with "●" indicates the spare parts.

2BA/2BB

SP	Part. No.	Description	Quantity		Fig. No.
			120V	230V	
●	36705060	LABEL,TONER SUPPLY	1	1	11
●	36714140	REAR GEAR 25,DEVELOPING	1	1	12
●	36715550	SEAL,HOPPER	1	1	11
●	36715560	STOPPER,HOPPER	2	2	11
●	36715570	SPRING,HOPPER	2	2	11
●	36720493	CLAW,PRESS ROLLER	10	10	15
●	36722860	GEAR 18	1	1	12
●	36727340	SWITCH,MAIN	1	1	19
●	36756181	UPPER MOUNT BASE C,HOPPER (R S)	1	1	11
●	36793270	PARTS,MOTOR TONER SUPPLY(SP)	1	1	11
●	41728204	BANANA-TIP CONNECTOR	2	2	8
●	44728101	MAGNET CATCHER	6	6	2,13
●	45529400	BEARING,HEAT ROLLER 6806ZZNR	2	2	14
●	45569005	CENTRAL BEARING	2	2	17
●	45727304	GEAR 26,ONE-WAY	1	1	4
●	45727601	GEAR 20,DEVELOPING UNIT	3	3	17
●	45727604	GEAR 34,AGITATION ROLLER	1	1	11
●	45729434	GEAR,AGITATION ROTOR	1	1	10
●	45729502	IDLE GEAR 40	2	2	5
●	48128606	PIN,WIRE TENSION	6	6	7,12
●	48128807	PIN,FRAME	2	2	15
●	48129208	PIN,TENSION	9	9	3,5,13
●	48521523	PRESSING SPRING	4	4	5
●	48528208	SPRING,BLADE B	4	4	17,18
●	48528604	TENSION SPRING,CLUTCH	1	1	17
●	48828112	TAPE,TONER TANK	1	1	13
●	49021700	BUSHING	2	2	15
●	49028112	BUSHING 8,LOWER REG.ROLLER	1	1	12
●	49028116	BUSHING 6,CLEANING UNIT	2	2	11
●	49628105	RECEIVER,MAGNET	2	2	2
●	60804120	MAGNET CATCH	2	2	4
●	61714410	REAR SEAL,AGITATION PADDLE	4	4	11
●	61727450	FAN,COOLING	1	1	20
●	61727530	INTERLOCK SWITCH A	3	3	13,18
●	61806240	BUSHING,GUIDE	16	16	5
●	63227150	SWITCH L,FEED	4	4	3,15
●	63523010	FAN MOTOR	2	2	1
●	63527100	GROUND WIRE,ADF MOTOR	1	1	1
●	63527320	MAIN SWITCH M	3	3	19
●	65011860	PIN,ORIGINAL MAT	1	1	17

SP	Part. No.	Description	Quantity		Fig. No.
			120V	230V	
●	65013290	SPRING,SCANNER TENSION	1	1	17
●	65016080	STOP RING E3	4	4	7
●	65227040	POWER SOURCE SWITCH	1	1	19
●	66004210	COLLAR,HINGE	4	4	14
●	66014120	GEAR 14,MAGNET ROLLER	1	1	16
●	66127010	SWITCH,COVER OPEN	1	1	1
●	66260030	BASE RUBBER,SORTER	2	2	1
●	66321430	FEEDBACK PULLEY	7	7	6
●	67318070	BUSHING,SPIRAL	2	2	11
●	67322230	BUSHING 8	22	22	4,5,6,15 16,17
●	67401030	GRANDING WIRING ASS'Y	1	1	14
●	67802180	MOUNT,HINGE	4	4	2
●	67804170	PROJECTION,SWITCH	4	4	2,6,13
●	67804180	STOPPER, COVER	2	2	2
●	67804241	COVER, MACHINE SUPPORT	2	2	3
●	67805200	LABEL,ROLL HEATER	1	1	1
●	67806220	HANDLE,EJECT DRIVE	1	1	4
●	67806230	SWITCH, CUTTER EJECT	1	1	4
●	67807370	MOUNT B,PAPER FEED ROLLER	2	2	5
●	67807581	RIGHT LEVER, ROLL PAPER FEED	2	2	5
●	67807591	LEFT LEVER, ROLL PAPER FEED	2	2	5
●	67807600	RIGHT LEVER,ROLL PAPER FEED RETAINING	2	2	5
●	67807610	LEFT LEVER,ROLL PAPER FEED RETAINING	2	2	5
●	67807690	SPRING,PAPER FEED LEVER	4	4	5
●	67807760	PIN,LEVER PAPER FEED	4	4	5
●	67814120	THERMISTOR,DEVELOPING UNIT	1	1	19
●	67816130	MOUNT,SEPARATION SOLENOID	1	1	12
●	67816151	BUSHING,SEPARATION	4	4	12
●	67816160	GUIDE,SEPARATION CLAW	7	7	12
●	67816170	GUIDE,SEPARATION	7	7	12
●	67816180	SPRING,SEPARATION	1	1	12
●	67818110	WEIGHT,CLEANING BLADE	1	1	12
●	67818130	MOUNT,WEIGHT	1	1	12
●	67818410	LID,TONER DISPOSAL TANK	1	1	13
●	67820210	GUIDE A,PRESS ROLLER	2	2	15
●	67820220	GUIDE B,PRESS ROLLER	2	2	15
●	67821071	RETAINER PIN,COPY TRAY	4	4	2
●	67821090	LOWER HINGE,COPY TRAY	2	2	2
●	67822230	MOUNT,ROLL PI	3	3	16

• Parts with "●" indicates the spare parts.

SP	Part. No.	Description	Quantity		Fig. No.
			120V	230V	
	67822270	GEAR 16,ROLL DRIVE	2	2	16
	67822380	TENSION PLATE,PRE-TRANSFER DRIVE	1	1	17
●	67822390	PULLEY 32,PRE-TRANSFER DRIVE	1	1	17
●	67822410	GEAR 22,PRE-TRANSFER DRIVE	1	1	16
●	67822450	GEAR 20,IDLE	3	3	16,17
●	67823060	HEAT SHIELD SEAL,COOLING FAN	2	2	18
●	67823080	FILTER,CONVEYING	1	1	18
	67827130	RESISTRATION SWITCH WIRING	1	1	4
●	67827160	PAPER CONVEYING FAN	3	3	15,18
●	67827360	CLICK SOLENOID	1	1	12
	67868010	BOLT,MACHINE	4	4	21
	68202160	BOLT,LEVEL	4	4	3
●	68320310	SPRING,SEPARATION CLAW	10	10	15
●	68322210	PULLEY,21 IDLE	2	2	5
●	71622150	JOINT PULLEY	1	1	15
	71802210	PIN,DRUM LIFT	19	19	5,13,16,17 19
●	71808260	PULLEY,DRUM TENSION	2	2	5
●	71818200	RATCHET,SEPARATION	13	13	12,14
	71821600	SPRING,UPPER EJECT ROLLER	2	2	15
●	72107160	BUSHING 6,LOWER REGISTRATION ROLLER	27	27	3,4,5,12
	72114320	PIN,DEV.UNIT HANDLE	1	1	12
●	72308120	SPRING, CLEANING BLADE	3	3	16
	72404230	COVER, KEY COUNTER	1	1	19
	72418140	SPRING, BLADE	3	3	17
●	72422192	GEAR, IDLE 25	4	4	5
●	72622141	TENSION PULLEY 20	1	1	4
	72918050	PIN,BLADE ARM	2	2	12,13
●	73210450	BUSH, 6	2	2	12
●	73368070	FRONT TC HOUSING ASS'Y	1	1	8
●	74322340	GEAR 32,DUPLEX	2	2	5
●	74322350	PULLEY,DRIVE TENSION	5	5	16,17
	74702120	COLLAR 12 DETACHABLE SECTION	4	4	15
●	74707080	SEAL REGISTRATION	6	6	4
●	74710050	SPRING,MAIN CHARGER WIRE	3	3	7,8
	74712770	STOP RING U-6	2	2	1
●	74714130	GEAR 23 SPIRAL ROLLER	2	2	5
	74716160	SPACER GUIDE	2	2	2
●	74716280	ST CHARGER WIRE	1	1	8
	74716322	FILM ST CHARGER	2	2	8

SP	Part. No.	Description	Quantity		Fig. No.
			120V	230V	
●	74716330	SEAL ST CHARGER HOUSING	2	2	8
	74718390	OVERFLOW SENSOR	1	1	13
	75208110	PULSE SENSOR PLATE	3	3	16
	75726140	BUSHING 21X22	1	1	19
●	75812080	STOP RING 4	27	27	3,4,11,18
	75915090	BUSHING AGITATION ROTOR SHAFT	2	2	10
●	76007150	SPRING PAPER PAD PULLEY	10	10	4,14
	76510181	STATIC ELIMINATOR ORIGINAL EJECT SECTION	3	3	6
●	78308200	SPRING DRUM HEATER BRUSH	1	1	7
●	78318330	SPRING SEPARATION CLAW SOLENOID	1	1	12
●	78618240	SEPARATION CLAW DRUM	7	7	12
	78622430	WASHER FIXING COUPLER	1	1	17
●	G3006080	BEARING,#608ZZ	10	10	5,10
	L0023070	ROUND TYPE TERMINAL,173636-1	2	2	14
	M0207000	BINDING BAND,KB-100-1	9	9	7,10
	M1203200	OPEN BUSHING,OCB-375	2	2	1,4
	M1203220	OPEN BUSHING,OCB-625	4	4	6,14,19
	M1203240	OPEN BUSHING,OCB-500	2	2	18
	M1203510	OPEN BUSHING,OCB-1000	2	2	14,19
	M1203550	STRAIN RELEAF BUSHING,SR-7W-2	1	1	19
●	M1654020	FUSE,237004(LITTEL FUSE)	1		19
●	M1654030	FUSE,218004(LITTLE-FUSE)		1	19
●	M1658010	FUSE,218008(LITTEL-FUSE)		2	19
●	M1660010	FUSE,237010(LITTEL)	1		19
●	M1661000	FUSE 15A,314015	1		19
●	M1755010	FUSE,S505 5A(BUSSMANN)		1	19
	M2104200	EDGING EDS-1	6	6	14,16
	M2104210	EDGING,EDS-2	1	1	18
	M2104260	EDGING,EDS-0607U(KITAGAWA)	12	12	15,16,18,19
	M2104280	EDGING,EDS-25L(KITAGAWA)	2	2	19
	M2105730	MINIATURE CLAMP,UAMS-07-0	44	44	3,4,14,15 18,19,20
	M2105740	MINIATURE CLAMP,UAMS-05S-2	19	19	1,4,6,16 18
	M2107120	BINDING BAND SG-130	28	28	3,4,6,15 16,17,18,20 21
	M2108120	SPACER,KGLS-4S	13	13	3,18,19
	M2108130	SPACER,KGPS-4S	1	1	19
	M2109000	WIRE SADDLE,WS-1NS	4	4	10

• Parts with "●" indicates the spare parts.

SP	Part. No.	Description	Quantity		Fig. No.
			120V	230V	
	M2109180	WIRE SADDLE,LWS-1S	14	14	3,17,19,20
	M2109190	WIRE SADDLE,HL-38-0	5	5	19,20
	M2109200	LOCKING WIRE SADDLE,LWS-3S-2W	51	51	3,17,19,20
	M2109210	LOCKING WIRE SADDLE,LWS-8S-2.5W	15	15	19
	M2109230	WIRE SADDLE,LWS-3S(KITAGAWA)	4	4	3,19
	M2505140	CLAMP,GNK-6N(NIKKO)	3	3	3,19
	M2505190	CLAMP,GNK-4N(NIKKO)	1	1	20
	M7009020	WIRE SADDLE,LWS-1N-V0F(TAKEUCHI)	1	1	12

• Parts with "●" indicates the spare parts.

CLASSIFICATION OF THE SCREWS IN ILLUSTRATION

<u>REF.</u>	<u>ITEM #</u>	<u>DESCRIPTION</u>	<u>REF.</u>	<u>ITEM #</u>	<u>DESCRIPTION</u>	<u>REF.</u>	<u>ITEM #</u>	<u>DESCRIPTION</u>
AAS	B0004080	ROUND HEAD SCREW M4X8	BHO	B3313100	BINDING TAP-TITE P BRONZE SCREW M3X10	HAO	B4043080	TRIPLE TAP-TITE P SCREW M3X08
AVE	B0024080	ROUND HEAD SCREW WITH SW.W M4X8	BHV	B3313060	+BINDING TAP-TIGHT P BRONZE SCREW M3X06	HAS	B4014080	TRIPLE SCREW M4X08
BAB	B1003060	BINDING SCREW CVM3X6	BMF	B1003140	BINDING SCREW CVM3X14	HBA	B4303050	TRIPLE SCREW M3X5 (BLACK)
BAC	B1003080	BINDING SCREW M3X8	BMI	B1006100	BINDING SCREW CVM6X10	HCA	B4104060	TRIPLE SCREW M4X6(CHROMIUM)
BAD	B1004120	BINDING SCREW CVM4X12	BUA	B3314100	BINDING TAP-TITE P BRONZE SCREW M4X10	HCF	B4104080	TRIPLE SCREW M4X08(CHROMIUM)
BAK	B1003030	BINDING SCREW,CVM3X3	BUC	B3314120	M4X12 +BINDING TAP-TIGHT P SCREW	KAK	E0020080	SPRING PIN 2X8
BAL	B1003050	BINDING SCREW CVM3X5	BVS	B1309080	M2.3X8 +BINDING SCREW	KAL	E0020100	SPRING PIN 2X10
BAN	B1004060	BINDING SCREW CVM4X6	CAD	B2003080	COUNTER-SUNK HEAD SCREW FHM3X8	KAM	E0020120	SPRING PIN 2X12
BAO	B1004100	BINDING SCREW CVM4X10	CHE	B2803120	COUNTER-SUNK HEAD POLYESTER SCREW FHPVM3X12	KAN	E0020140	SPRING PIN 2X14
BAP	B1003100	BINDING SCREW CVM3X10	CIB	B8073080	FLAT HEAD TAP-TITE P SCREW M3X08	KAV	E0030120	SPRING PIN 3X12
BAW	B1004080	BINDING SCREW M4X8	DJU	B5394040	W-POINT SET SCREW M4X4	KAX	E0030140	SPRING PIN 3X14
BAX	B1004040	BINDING SCREW CVM4X4	DJV	B5393040	W-POINT SET SCREW M3X04	KAY	E0030180	SPRING PIN 3X18
BBB	B1303050	BINDING SCREW BVM3X5 (BLACK)	DJX	B5394060	W-POINT SET SCREW M4X06	KKA	E0030220	SPRING PIN 3X22
BBE	B1304060	BINDING SCREW BVM4X6 (BLACK)	EFD	B3004080	BINDING SCREW M4X8	NAD	C1004000	NUT NM4
BBF	B1304080	BINDING SCREW BVM4X8 (BLACK)	E03	D1000300	STOP RING (E-3)	NAE	C1005000	NUT NM5
BBN	B1304250	BINDING SCREW M4X25(BLACK)	E04	D1000400	STOP RING (E-4)	RDC	D4000300	STOP RING CSTW-3
BBU	B1303140	BINDING SCREW BVM3X14 (BLACK)	E05	D1000500	STOP RING (E-5)	REG	B3014300	+PAN HEAD TAP-P TIGHT SCREW M4X30
BCF	B1104080	BINDING SCREW VM4X8 (CR)	E06	D1000600	STOP RING (E-6)	RKD	D2003000	STOP RING C-30
BCK	B1103050	BINDING SCREW CV3X5	E07	D1000700	STOP RING (E-7)	SAD	C3006000	SPRING WASHER SWM6
BEA	B1603050	BINDING SCREW M3X5 (BRASS,NI)	E09	D1000900	STOP RING (E-9)	WAC	C2004100	PLAIN WASHER PWM4
BEB	B1603060	BINDING SCREW M3X6 (BRASS,NI)	GDC	B9604100	M4X10 +-GROUNDING SCREW	WEB	C2603080	PLAIN WASHER M3-8 (BRASS,N:)
BEC	B1603080	BINDING SCREW M3X8 (BRASS,NI)	GEF	B9604060	GROUNDING SCREW M4X6 (BRASS,N:)	XBC	C2893950	SHIM 6.2-0.25T
BGG	B1243060	BINDING SCREW WITH LOCK TVM3X6	HAC	B4002050	TRIPLE TAPPING SCREW M2X5	XBL	C2891180	SHIM 12.2X18X0.25T
BHD	B3024080	BINDING TAP-TIGHT SCREW M4X8	HAD	B4003050	TRIPLE SCREW M3X05	XCF	C2895130	SHIM 8.2-0.5T
BHF	B3314080	BINDING TAP-TITE P SCREW M4X08	HAI	B4004060	TRIPLE SCREW M4X06(BLACK)			
BHN	B8013080	BINDING TAP-TIGHT SCREW M3X08	HAK	B4003060	TRIPLE SEREW M3X6			

KYOCERA MITA EUROPE B.V.

Hoeksteen 40, 2132 MS Hoofddorp,
The Netherlands
Phone: (020) 6540000
Home page: <http://www.kyoceramita-europe.com>
Email: info@kyoceramita-europe.com

KYOCERA MITA NEDERLAND B.V.

Hoeksteen 40, 2132 MS Hoofddorp,
The Netherlands
Phone: (020) 5877200

KYOCERA MITA (UK) LIMITED

8 Beacontree Plaza
Gillette Way,
Reading RG2 0BS UK
Phone: (0118) 931 1500

KYOCERA MITA ITALIA S.P.A.

Via Verdi 89/91 20063 Cernusco sul Naviglio
(Milano) Italy
Phone: 02-92179 1

S.A. KYOCERA MITA BELGIUM N.V.

Hermesstraat 8A, 1930 Zaventem, Belgium
Phone: (02) 7209270

KYOCERA MITA FRANCE S.A.R.L.

Parc les Algorithmes
SAINT AUBIN
91194 GIF-SUR-YVETTE
France
Phone: (01) 69852600

KYOCERA MITA ESPAÑA S.A.

Edificio Mita, Avda. De Manacor Nº2,
Urb. Parque Rozas, Apartado de Correos 76,
28230 Las Rozas, Madrid, Spain
Phone: (91) 631-8392

KYOCERA MITA FINLAND OY

Kirvesmiehenkatu 4, 00810 Helsinki,
Finland
Phone: (09) 478-05200

KYOCERA MITA (SCHWEIZ) AG

Holzliwisen Industriestrasse 28,
8604 Volketswil, Switzerland
Phone: (01) 908 4949

KYOCERA MITA DEUTSCHLAND GMBH

Mollsfeld 12 40670 Meerbusch,
(Osterath) Germany
Phone: 02159-918120

KYOCERA MITA GMBH AUSTRIA

Eduard-Kittenberger-Gasse 95,
1230, Wien, Austria
Phone: (01) 86338-0

KYOCERA MITA SVENSKA AB

Vretenvagen 2
171 54 Solna, Sweden
Phone: (08) 546 550 00

KYOCERA MITA NORGE

Postboks 150 Oppsal, NO 0619 Oslo
Olaf Helsestvei 6, NO 0694 Oslo
Phone: (22) 62 73 00

KYOCERA MITA DANMARK A/S

Industrivej 11, DK-4632 Bjæverskov,
Denmark
Phone: (56) 871100

KYOCERA MITA PORTUGAL LDA.

Rua de Campolide,
nº56-5º dto,
1070-026, Lisbon, Portugal
Phone: (21) 09-00

KYOCERA MITA SOUTH AFRICA (PTY) LTD.

UNIT 3, "Kyalami Crescent,"
Kyalami Business Park,
1685 Midrand, South Africa
Phone: (11) 466-3290

KYOCERA MITA AMERICA, INC.

Headquarters:
225 Sand Road, P.O. Box 40008,
Fairfield, New Jersey 07004-0008,
U.S.A.
Phone: (973) 808-8444

KYOCERA MITA AUSTRALIA PTY. LTD.

Level 3, 6-10 Talavera Road, North Ryde,
N.S.W. 2113 Australia
Phone: (02) 9888-9999

KYOCERA MITA NEW ZEALAND LTD.

1-3 Parkhead Place,
Albany, Auckland,
New Zealand
Phone: (09) 415-4517

KYOCERA MITA (THAILAND) CORP., LTD.

9/209 Ratchada-Prachachem Road,
Bang Sue, Bangkok 10800, Thailand
Phone: (02) 586-0320

KYOCERA MITA SINGAPORE PTE LTD.

121 Genting Lane, 3rd Level,
Singapore 349572
Phone: 67418733

KYOCERA MITA HONG KONG LIMITED

11/F., Mita Centre,
552-566, Castle Peak Road,
Tsuen Wan, New Territories,
Hong Kong
Phone: 24297422

KYOCERA MITA TAIWAN CORPORATION

7F-1~2, No.41, Lane 221, Gangchi Rd.
Neihu District, Taipei, Taiwan, 114. R.O.C.
Phone: (02) 87511560

KYOCERA MITA CORPORATION

2-28, 1-chome, Tamatsukuri, Chuo-ku
Osaka 540-8585, Japan
Phone: (06) 6764-3555

© 2002 KYOCERA MITA CORPORATION

 **KYOCERA** is a trademark of Kyocera Corporation

mita is a registered trademark of KYOCERA MITA CORPORATION

Printed in Holland